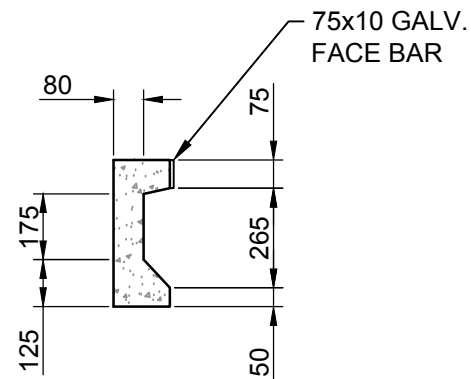
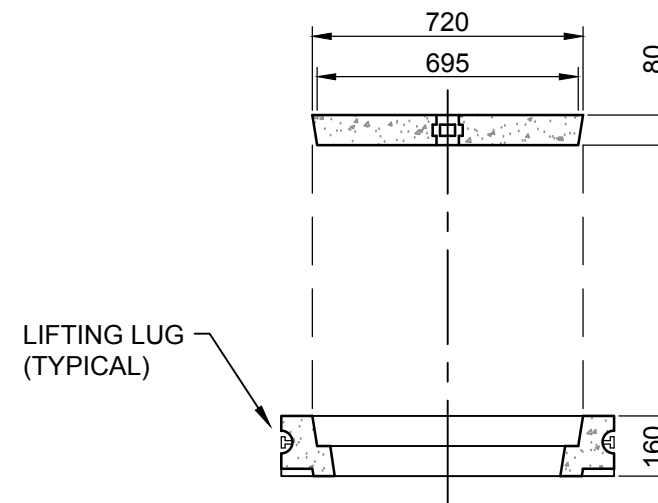


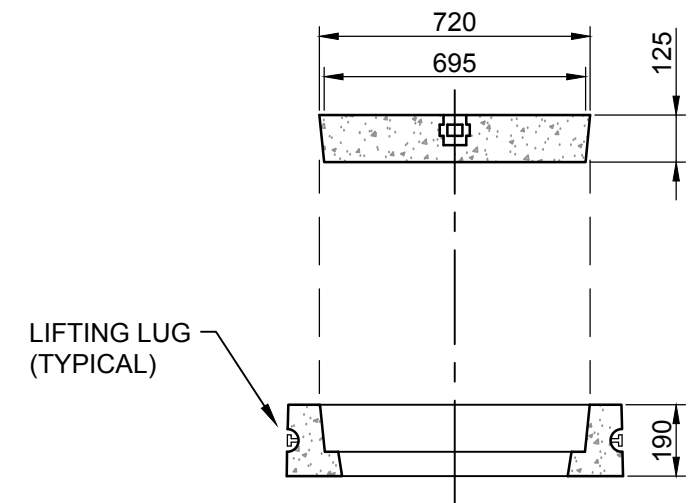
ELEVATION
1220 PATHWAY KERB INLET



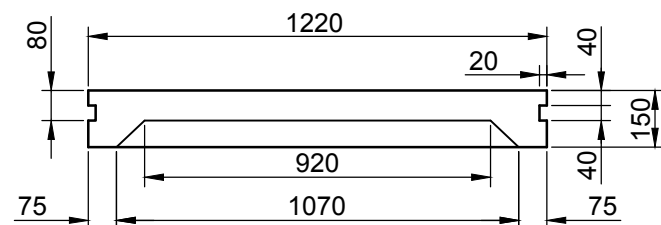
SECTION D-D
1220 PATHWAY KERB INLET



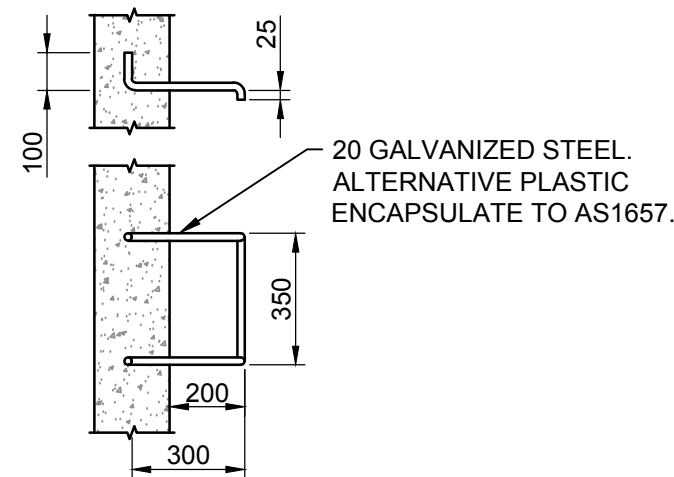
SECTION B-B



SECTION C-C

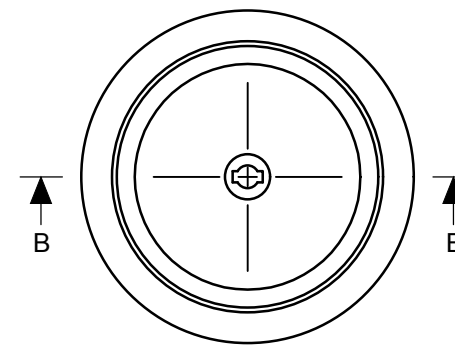


PLAN
1220 PATHWAY KERB INLET

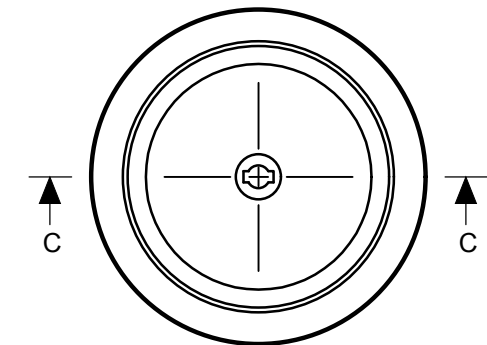


CLIMB IRONS SHALL BE PROVIDED AT 450 CTS.
UNDER LID WHERE PIT IS DEEPER THAN 1200.

DETAIL OF CLIMB IRON



PLAN



PLAN

PRECAST MANHOLE COVER AND SURROUND
REINFORCEMENT TO AUSTRALIAN STANDARDS

NOTES

1. ALL MEASUREMENTS ARE IN MILLIMETERS.
2. ALL PRECAST COMPONENTS TO BE FACTORY PRODUCED OF VIBRATED CONCRETE AND STEAM CURED.
3. COMPRESSIVE STRENGTH OF CONCRETE (F'c) 30MPa AT 28 DAYS.
4. ALL EXPOSED EDGES TO BE ROUNDED TO 5 RAD.
5. PROVISIONS TO BE MADE FOR 15 DIA LIFTING HOOKS BY INSERTION OF THREADED SOCKETS INTO LINTEL AND SURROUND AT POINT OF BALANCE OR PROPRIETARY DESIGN.
6. GALVANIZING TO BE IN ACCORDANCE WITH AUSTRALIAN STANDARD FOR ALL EXPOSED COMPONENTS.
7. EXPOSED SURFACES TO BE OFF STEEL FORM FINISH OR OF HIGH QUALITY STEEL FLOAT FINISH.

Armidale Dept of Public Regional Council Infrastructure	SCALES	APPROVED	D. MAUNDER	31/08/2016	SHEET 1 OF 1
	NTS	MANAGER ENGINEERING AND STANDARDS SUPPORT		DATE	
COMPONENTS FOR STORMWATER PITS (RM3)		SURV	AS SHEET SIZE	DRAWING No	AMDT No
		DRWN	JB	080-030	
		DES			
		CHKD	MW	CADFILE 080-030.dwg	DATE 31/08/2016