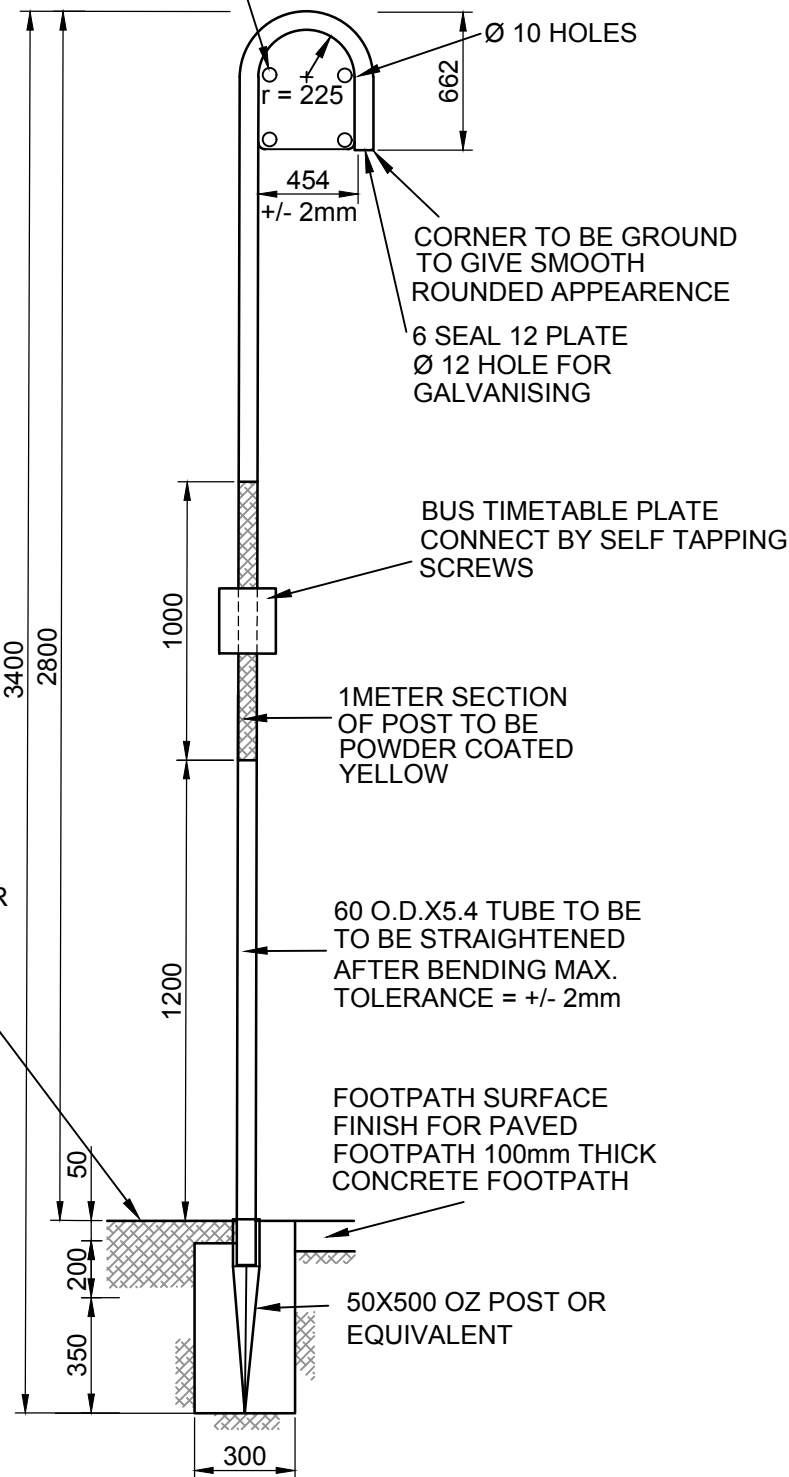
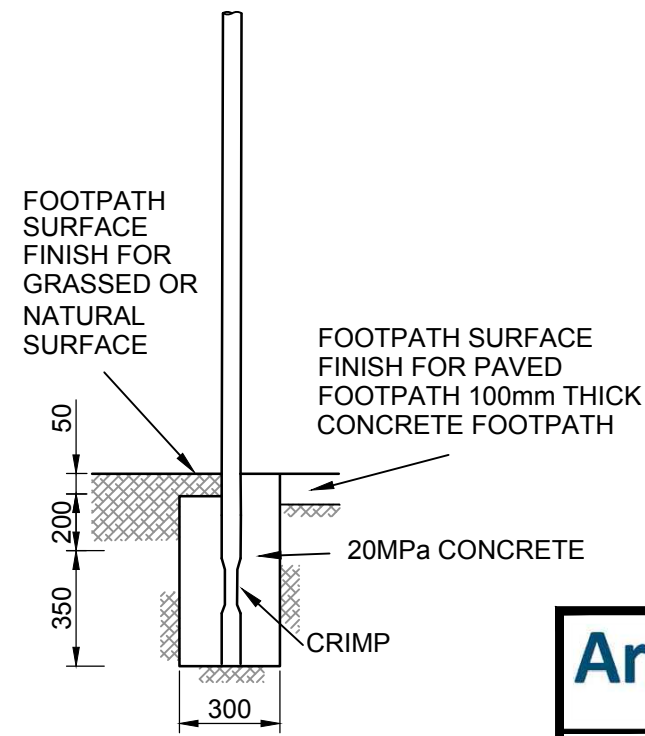


BUTT WELD AND GRIND FLUSH

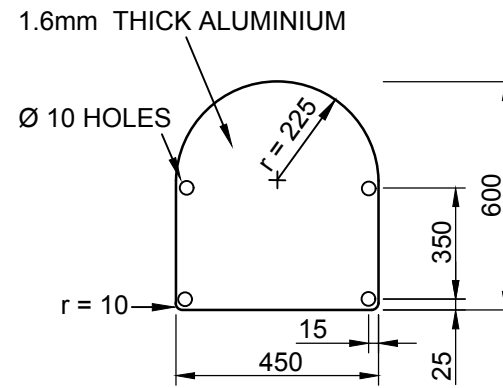
4 R LUGS



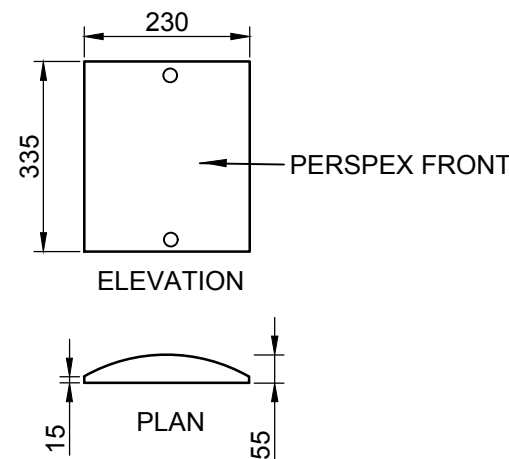
STANDARD INSTALLATION WITH OZ POST PREFERRED OPTION



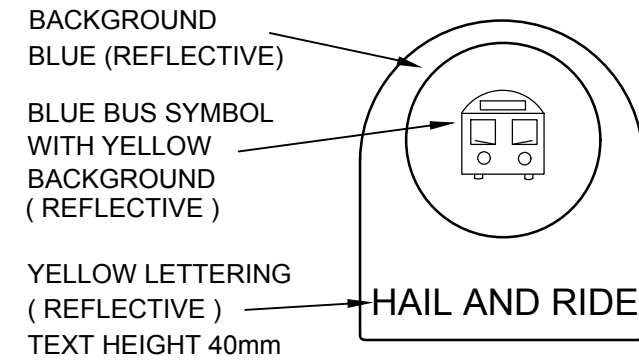
ALTERNATE INSTALLATION WITH CONCRETE FOOTING



NTS PLATE DETAILS

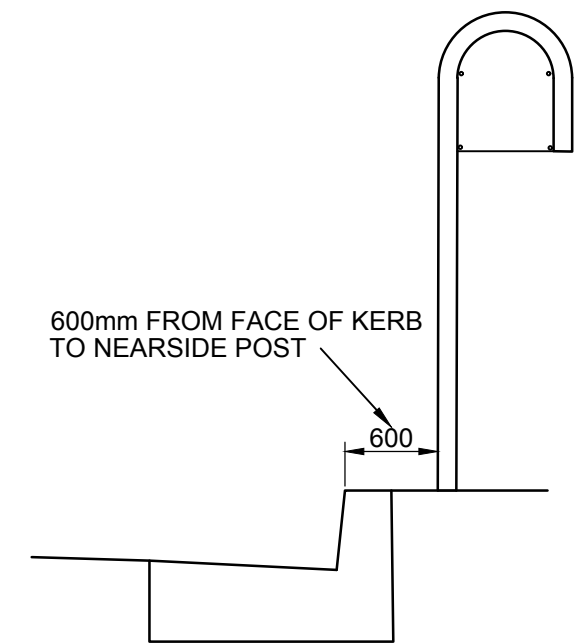


NTS BUS TIMETABLE PLATE



NTS SIGN PLATE MARKING DETAILS

NOTE IDENTICAL LETTERING AND SYMBOLS ON BOTH SIDES OF PLATE



NTS POST LOCATION DETAILS

NOTES

1. STOCK 50mm NB GALVANISED STEEL POSTS WHICH ARE USED FOR THE MOUNTING OF SIGNS ON A SINGLE SUPPORT. POST ARE CRIMPED AS SHOWN TO HALF DIAMETER.
2. A HOLE 600mm DEEP IS DUG, THE POST INSERTED AND HELD VERTICALLY WHILE THE HOLE IS BACKFILLED TO GROUND LEVEL WITH 20MPa CONCRETE. IT IS PREFERABLE FOR THE CONCRETE TO BE ALLOWED TO SET BEFORE THE SIGN IS FASTENED TO THE POST.

Armidale Dept of Public Regional Council Infrastructure	SCALES	APPROVED	D. MAUNDER	10/11/2016	SHEET 1 OF 1
	NTS	MANAGER ENGINEERING AND STANDARDS SUPPORT		DATE	
BUS STOP J POLE POST AND SIGN DETAIL		SURV	AS SHEET SIZE	DRAWING No	AMDT No
		DRWN	PD	030-078	
		DES	CIM/PJN		
		CHKD	MW	CADFILE 030-078.dwg	DATE 10/11/2016