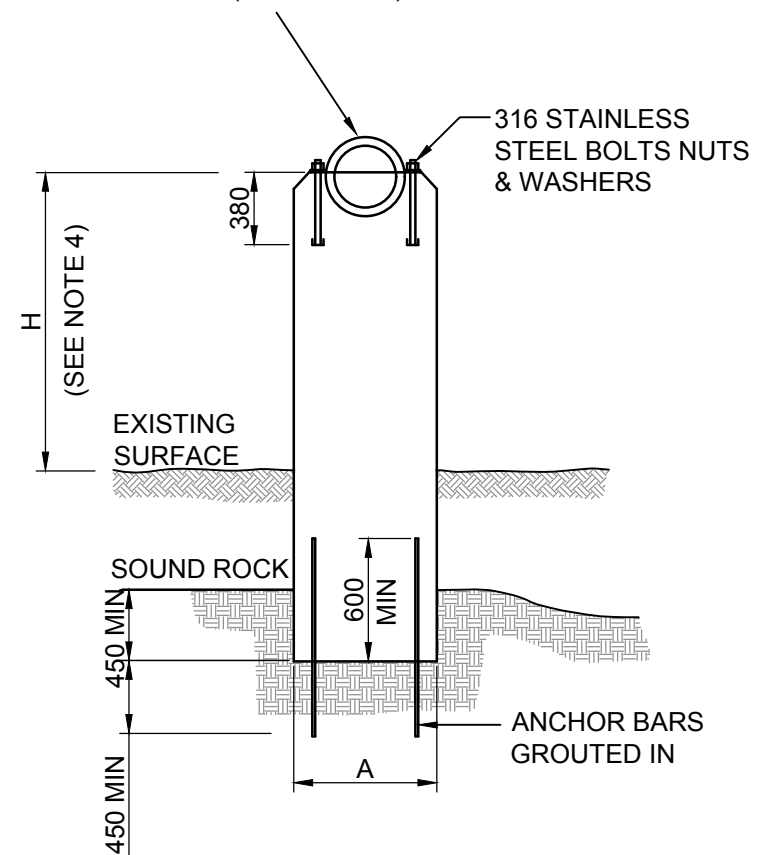


PIERS NOT TO BE PLACED IN DRY WEATHER FLOW CHANNEL
TYPICAL (DI) AQUEDUCT

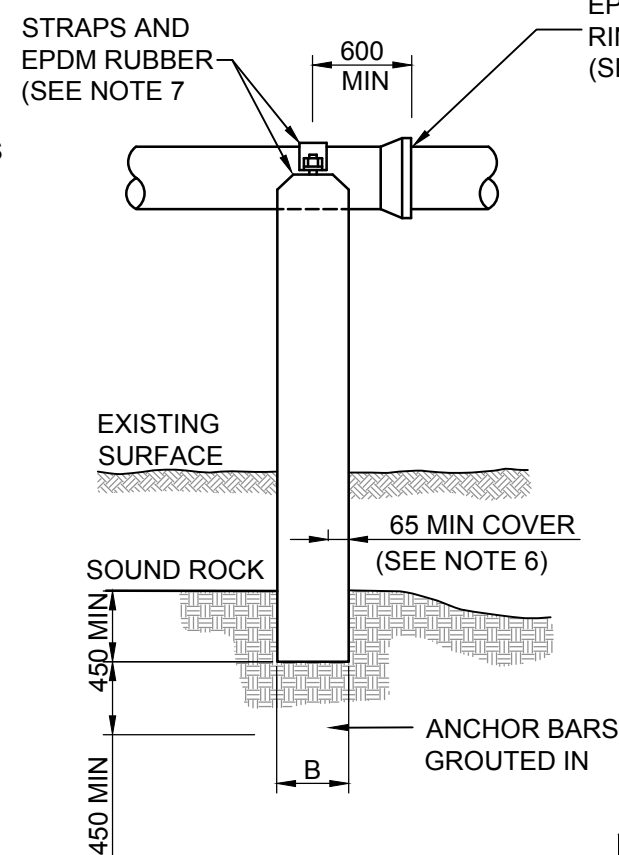
NOTES

1. ALL DIMENSIONS ARE IN MILLIMETERS.
2. DI PIPE (K12) REQUIRED FOR EXPOSED SECTIONS.
SCL PIPE WITH RRJ MAY BE USED AS AN ALTERNATIVE.
3. MINIMUM SIZE OF PIPE AS AQUEDUCT SHALL BE DN 150.
4. MAXIMUM HEIGHT "H" OF CONCRETE PIERS:
- IN FLOOD CONDITIONS, SEE TABLE FOR MAXIMUM HEIGHT.
- IN NO FLOOD CONDITIONS 5000 MAX.
- WHERE AQUEDUCT NEEDS TO BE HIGHER, SPECIFIC DESIGN CALCULATIONS NEED TO BE CARRIED OUT.
5. CONCRETE TO BE 25mpa.
6. REINFORCEMENT DETAILS TO BE SPECIFIED IN DESIGN DRAWINGS. COVER TO BE 65MIN.
7. STRAPS TO BE GRADE 316 STAINLESS STEEL. PLACE 3 THICK x 100 WIDE EPDM RUBBER INSERTION AROUND PIPE TO PROTECT PIPE FROM DAMAGE BY CONCRETE OR STRAPS.
8. UNLESS OTHERWISE SPECIFIED IN DESIGN DRAWINGS NO ADDITIONAL PROTECTION /COATING TO BE PROVIDED EXCEPT TO MAKE AQUEDUCT PIPES MORE ENVIRONMENTALLY ACCEPTABLE.
9. CYLINDRICAL PIERS (Ø600 MIN) OR EQUIVALENT ARE AN ACCEPTABLE ALTERNATIVE.
10. DEPTH OF PIERS IN SOIL TO BE SPECIFIED IN THE DESIGN DRAWINGS. BUT NOT LESS THAN 900.
11. TYPE AND SIZE OF PIERS TO BE SPECIFIED ON DESIGN DRAWINGS.
12. PIERS WITHOUT FOOTINGS TO BE CONSTRUCTED IN ACCORDANCE WITH METHODS SPECIFIED IN DESIGN DRAWINGS.
13. ASSEMBLE JOINTS WITH SPIGOT END WITHDRAWN 5 TO 10 FROM BACK OF SOCKET TO ACCOMMODATE EXPANSION AND CONTRACTION RESULTING FROM TEMPERATURE FLUCTUATIONS
14. PROVIDE STEEL GRILLES WHERE THE VERTICAL DISTANCE 'X' EXCEEDS 1800. GRILLE CLAMPED ON TIGHTLY TO PREVENT MOVEMENT. REFER WSA DRAWING SEW 1405.

STRAPS 3 THICK x 100 WIDE MIN FORMED TO SUIT. (SEE NOTE 7)



DETAIL OF CONCRETE PIER (SEE NOTE 9)



DIMENSIONS FOR PIERS (SEE NOTES 4&9)

NOMINAL SIZE DN	PIER		
	A	B	HEIGHT 'H' MAX
150	450	300	1700
200	600	300	2100
250	600	300	2100
300	750	300	1800
375	750	450	1800
450	915	450	1800
500	915	450	1800
600	1070	450	1800
750	1200	450	1800

Armidale <small>Regional Council</small> Dept of Public Infrastructure	SCALES NTS	APPROVED D. MAUNDER <small>MANAGER ENGINEERING AND STANDARDS SUPPORT</small>	31/08/2016 DATE	SHEET 1 OF 1
	AERIAL CROSSINGS AQUEDUCT	AS SHEET SIZE A3	DRAWING No 020-045	AMDT No
		DRWN GW		
		DES		
	CHKD MW	CADFILE 020-0.45.dwg	DATE 31/08/2016	