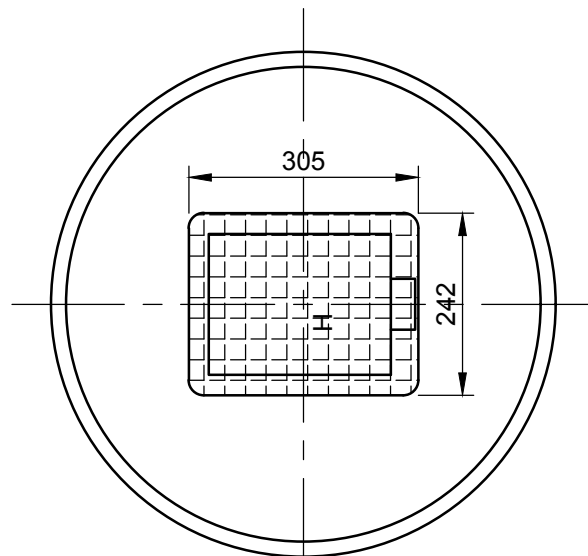
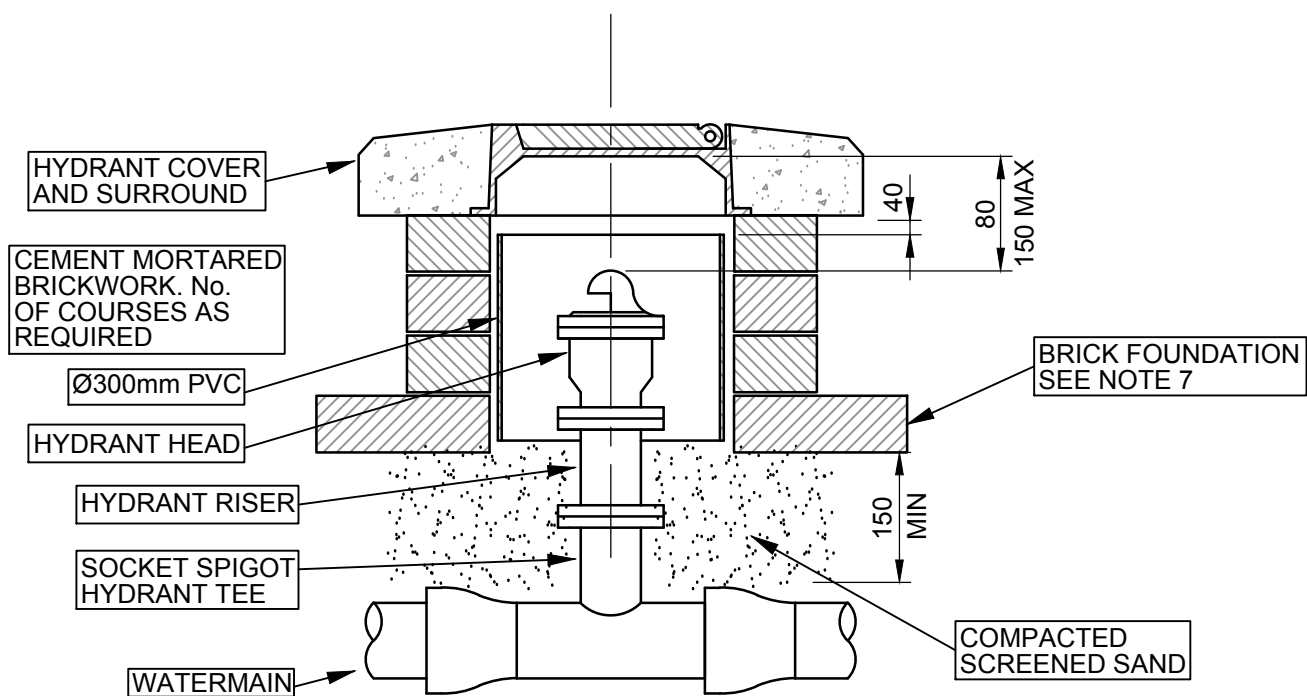


ELEVATION



PLAN

HYDRANT COVER



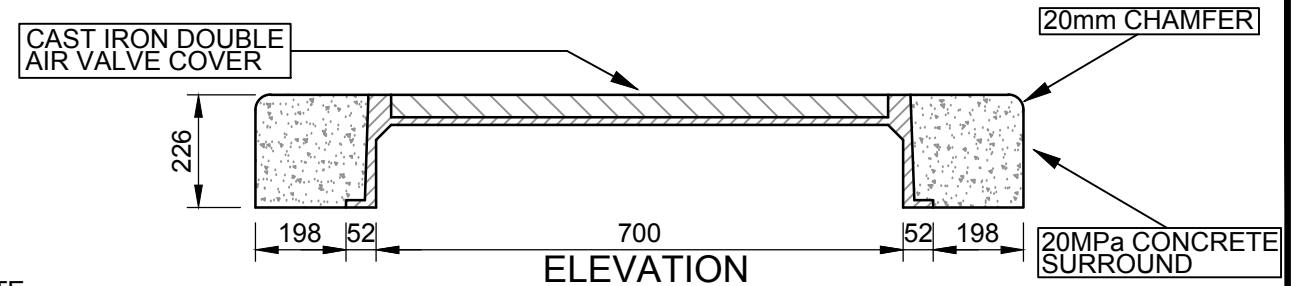
ARRANGEMENT FOR HYDRANT

HYDRANT NOTES

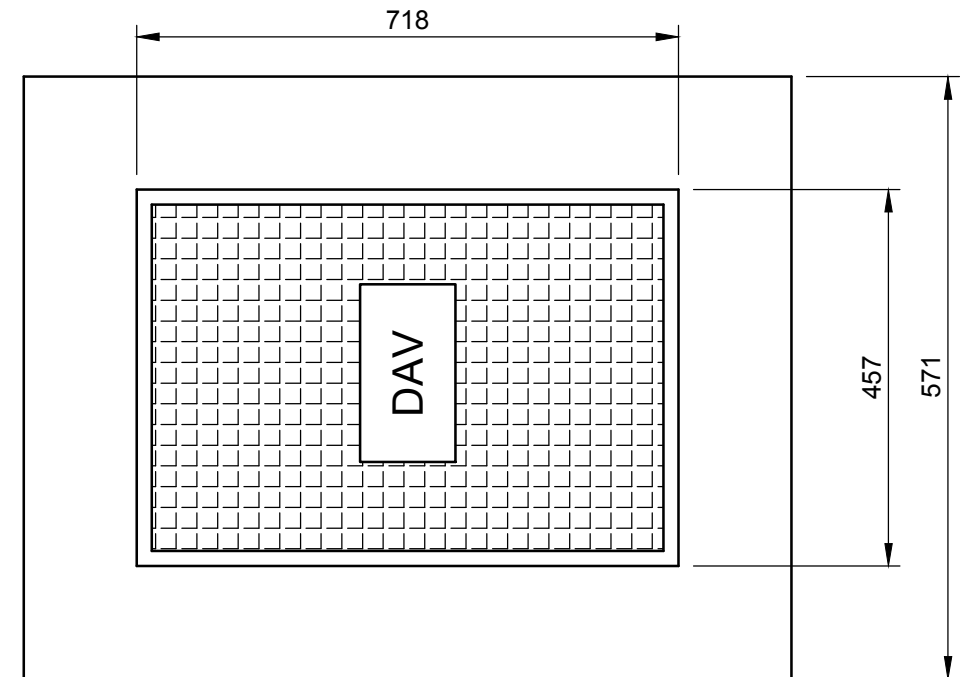
1. HYDRANTS SHALL BE NSW STANDARD BALL VALVE TYPE.
2. HYDRANTS SHALL BE INSTALLED WITH THE LUGS RUNNING PARALLEL TO THE WATERMAIN.
3. HYDRANT COVERS ARE TO OPEN PARALLEL TO THE WATERMAIN.
4. HYDRANT COVERS ARE TO BE CONSTRUCTED IN ACCORDANCE WITH PWD GUIDELINES, 15MPa CONCRETE SURROUNDS WITH CAST IRON COVERS. ALTERNATIVELY APPROVED HIGH DENSITY POLYETHYLENE SURROUNDS WITH ALUMINUM OR CAST IRON COVERS.
5. HYDRANT SURROUNDS AND COVERS ARE TO BE PAINTED BRIGHT YELLOW, (OR BRIGHT YELLOW PLASTIC COVERS).
6. HYDRANTS ARE TO BE LOCATED BY
 - a) A YELLOW 75mm X 100mm PAINT STRIPE ON THE KERB AND GUTTER.
 - b) A BLUE REFLECTIVE HYDRANT MARKER THAT COMPLIES WITH AS 1906.3 WITH INDICATOR ARROW FACING TOWARDS THE HYDRANT.
 - c) A MARKER PLATE ON AN ADJACENT FENCE, MARKER POST OR POWER POLE. REFER STD DWG 020-037. A HYDRANT ON THE ROAD IS TO BE DENOTED BY THE LETTERS HR AND ON THE FOOTPATH BY HP. THE DISTANCE TO THE HYDRANT IN METRES AND THE SIZE OF THE WATERMAIN IN MILLIMETERS IS TO BE STAMPED ON THE MARKER PLATE.
7. THE BRICK FOUNDATION IS TO BE CONSTRUCTED TO ENSURE NO LOAD CAN BE IMPOSED ON THE WATERMAIN OR FITTINGS.

DOUBLE AIR VALVE NOTES

1. DOUBLE AIR VALVE COVERS ARE TO BE PAINTED BRIGHT WHITE. REFER STD DWG 020-037.
2. A MARKER PLATE SHALL BE PLACED ON AN ADJACENT FENCE, MARKER POST OR POWER POLE. REFER STD DWG 020-037.

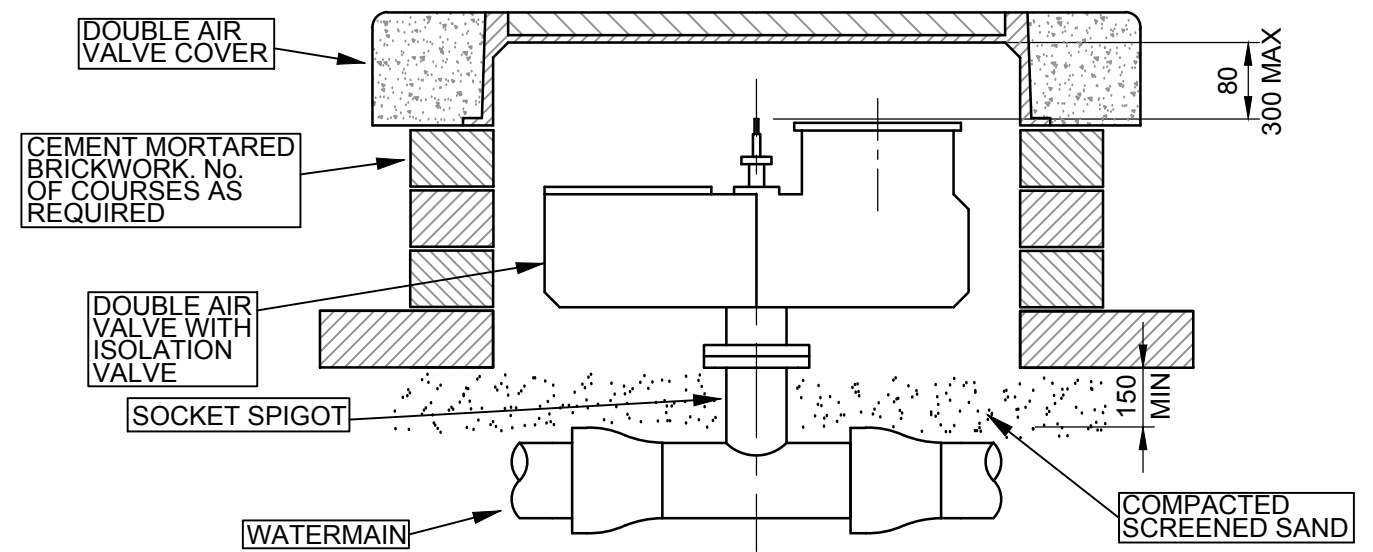


ELEVATION



PLAN

DOUBLE AIR VALVE COVER



ARRANGEMENT FOR AIR VALVE

Armidale <i>Dept of Public Infrastructure</i> Regional Council	SCALES	APPROVED	D. MAUNDER	31/08/2016	SHEET 1 of 1	
	NTS	MANAGER ENGINEERING AND STANDARDS SUPPORT		DATE		
	STANDARD HYDRANT AND DOUBLE AIR VALVE INSTALLATION DETAIL		SURV	AS SHEET SIZE	DRAWING No	AMDT No
			DRWN GW	A3	020-042	
		DES	CADFILE 020-042.dwg			
		CHKD MW				