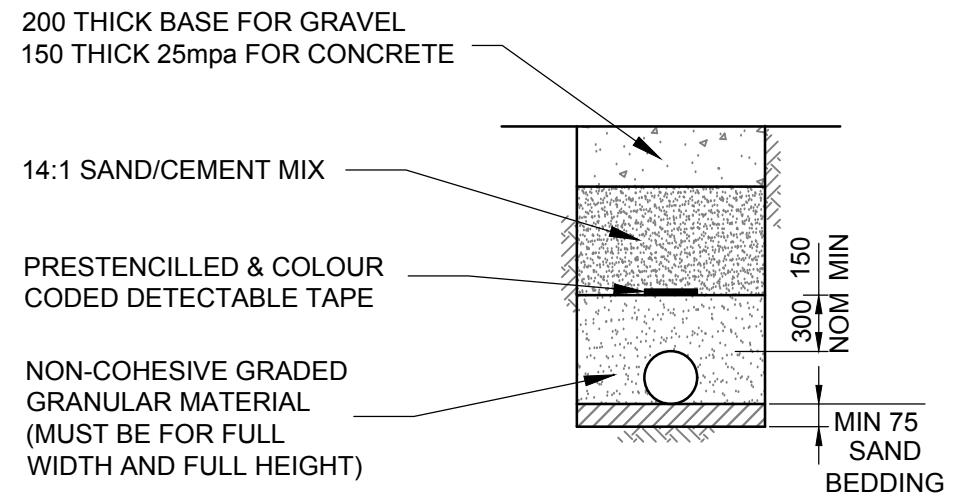
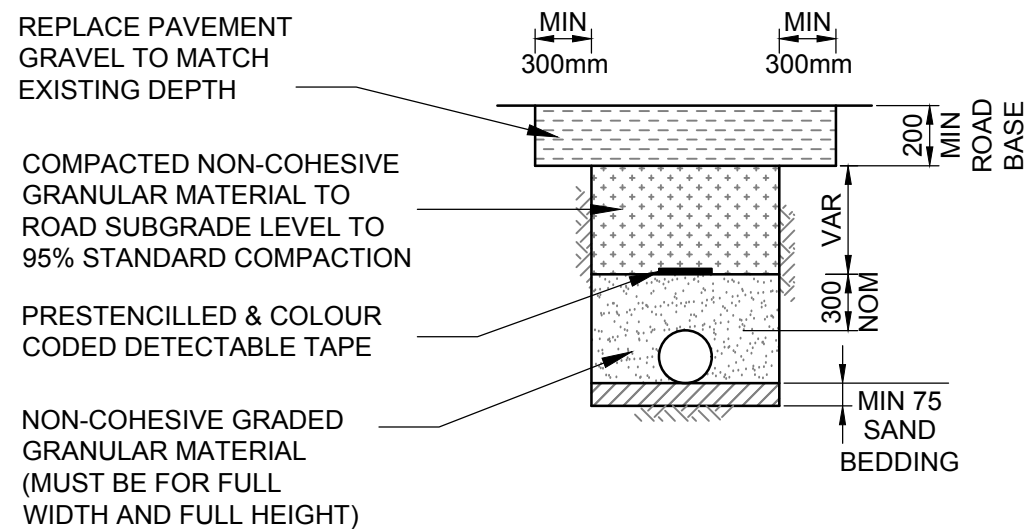


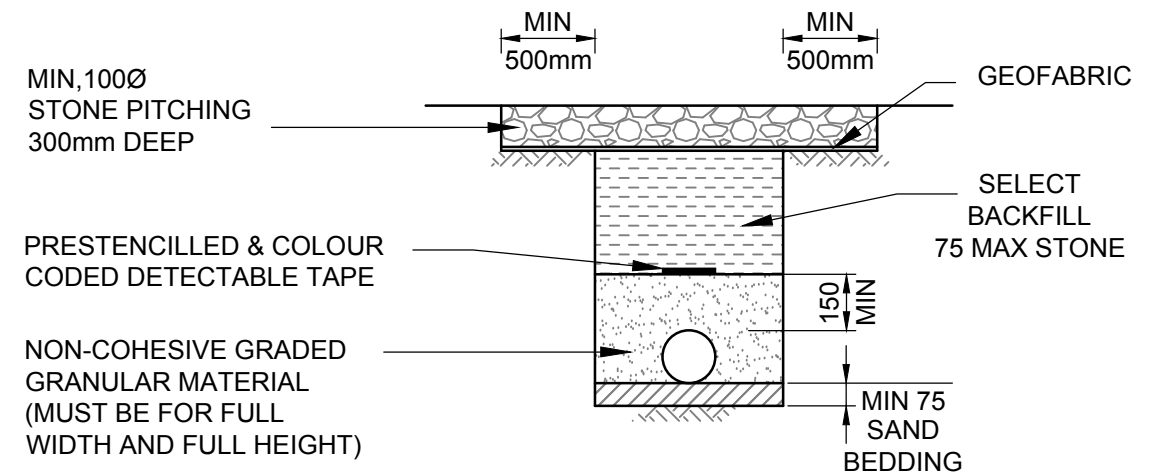
SEWER IN NON TRAFFICABLE LOCATIONS



PVC SEWER PIPE UNDER GRAVEL / CONCRETE DRIVEWAYS



SEWER ROAD CROSSING



SEWER WATERCOURSE CROSSING

NOTE:

1. DETECTABLE TAPE NOT REQUIRED FOR SEWER GRAVITY MAINS.

Armidale <i>Dept of Public Infrastructure</i> Regional Council	SCALES	APPROVED	D. MAUNDER	31/08/2016	SHEET 1 OF 1
	NTS	MANAGER ENGINEERING AND STANDARDS SUPPORT		DATE	
STANDARD SEWER TRENCH DETAILS		SURV	AS SHEET SIZE	DRAWING No	AMDT No
		DRWN	A3	010-038	
		DES			
		CHKD	CADFILE 010-038.dwg	DATE 31/08/2016	