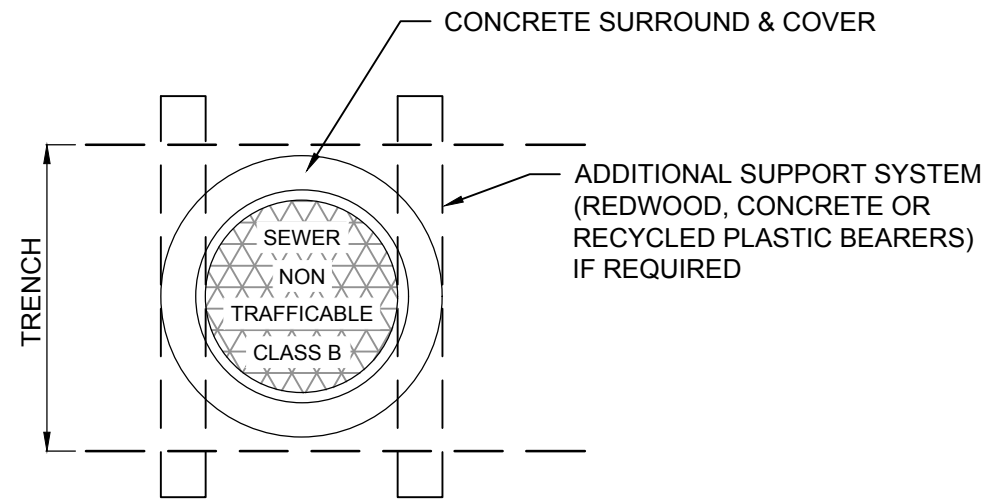
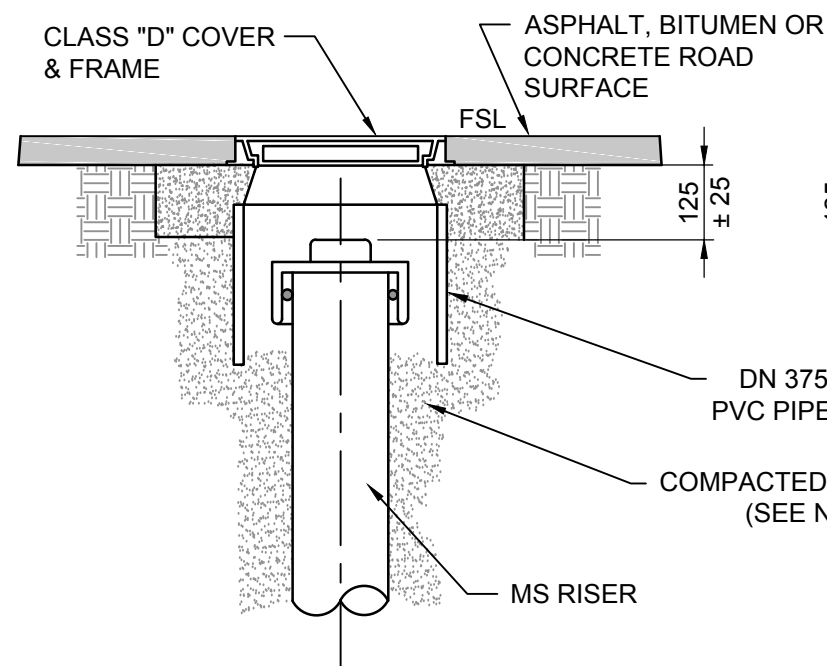


PLAN

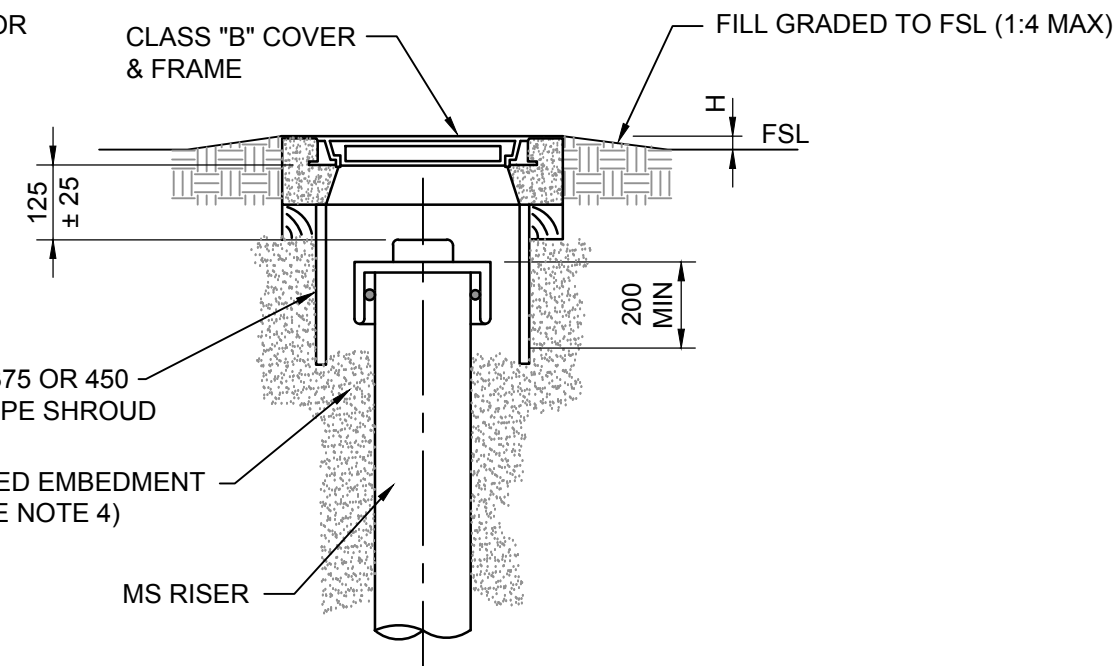


PLAN

FINISHED LEVELS OF MS COVERS	
LOCATION	H
UNDEVELOPED AREAS	100
NEW SUBDIVISIONS	75
ROADS, LANE WAYS, FOOTWAYS & DRIVEWAYS	FLUSH
EXISTING BUILT UP AREAS	25



ELEVATION
TRAFFICABLE COVER
(CLASS D)



ELEVATION
NON TRAFFICABLE COVER
(CLASS B)

NOTES

- ALL DIMENSIONS IN MILLIMETRES.
- COVER PLACEMENT:
 - CLASS "B" FOR FOOTWAYS, PARKS AND EASEMENTS.
 - CLASS "D" FOR TRAFFICABLE AREAS.
- COVERS AND MEANS OF SUPPORT TO BE AS AUTHORISED BY THE WATER AGENCY.
- COMPACT BACKFILL UNDER ACCESS COVER CONCRETE SUPPORT SLABS AND SURROUNDS IN ACCORDANCE WITH DESIGN DRAWINGS.

Armidale <i>Dept of Public Infrastructure</i> Regional Council	SCALES	APPROVED	D. MAUNDER	31/08/2016	SHEET 1 OF 1
	NTS	MANAGER ENGINEERING AND STANDARDS SUPPORT		DATE	
SEWER MAINTENANCE SHAFTS AND CHAMBERS TYPICAL MS AND MC COVER ARRANGEMENTS	SURV	AS SHEET SIZE	DRAWING No	AMDT No	
	DRWN VC	A3	010-036		
	DES				
	CHKD MW	CADFILE 010-036.dwg	DATE 31/08/2016		