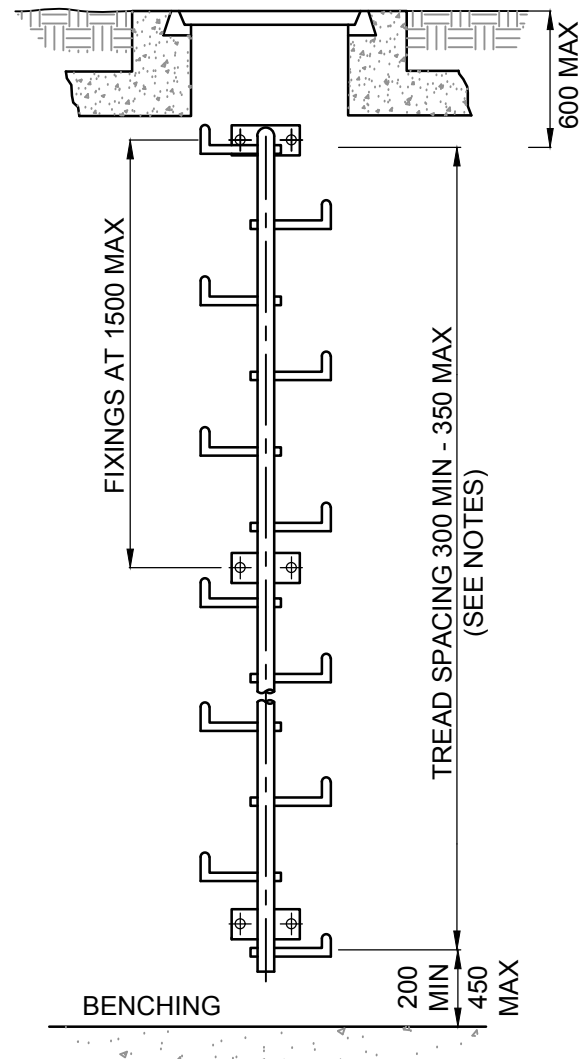
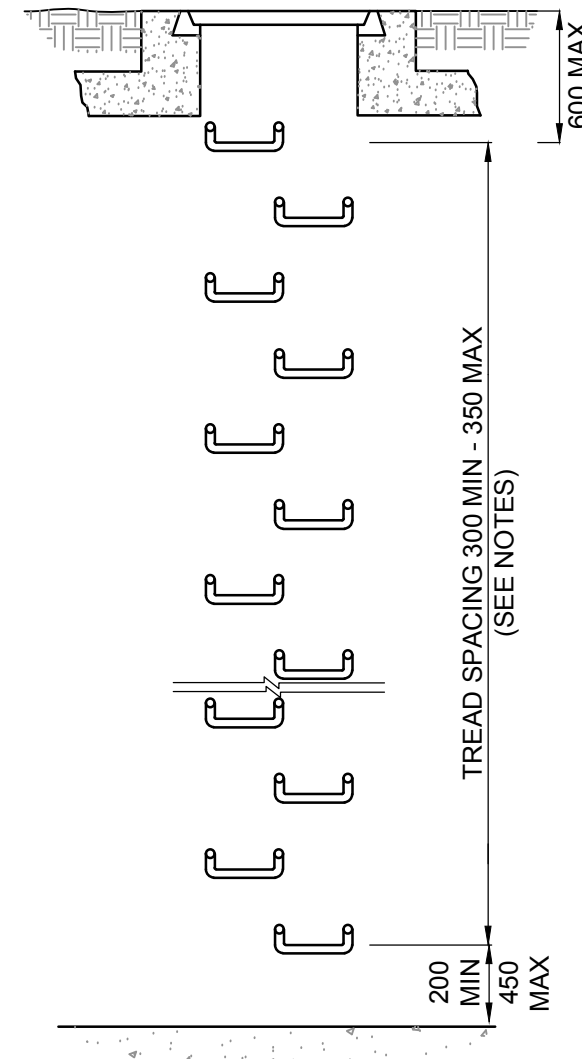


STANDARD LADDER

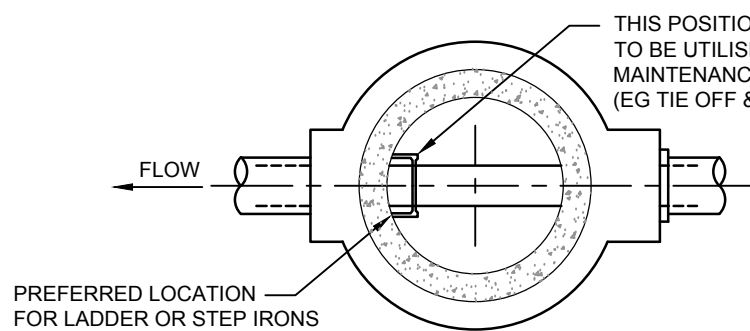


MONORAIL LADDER

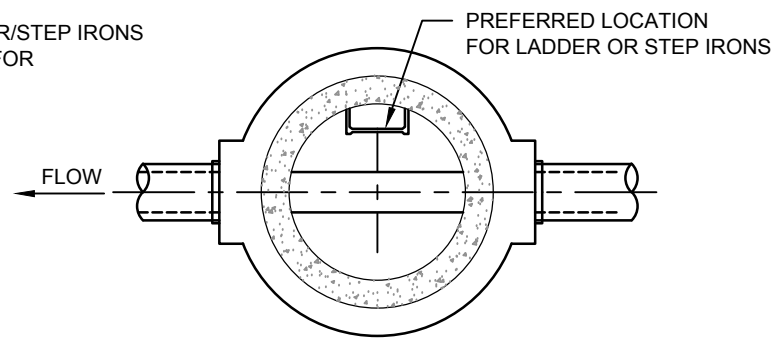


STEP IRONS

INLINE OR STAGGERED AS SPECIFIED



FOR SEWERS ≤ DN 300



FOR SEWERS > DN 300

PREFERRED LADDER OR STEP IRON LOCATION

NOTES

1. ALL DIMENSIONS IN MILLIMETRES.
2. POSITION ALL LADDER/STEP IRONS TO WATER AGENCY REQUIREMENTS.
3. LADDERS AND STEP IRONS TO BE IN ACCORDANCE WITH WSA 02 CL 7.6.9.
4. COMPLETE LADDER OR STEP IRON FIXING TO WATER AGENCY REQUIREMENTS.

<b>Armidale</b> <i>Dept of Public Infrastructure</i> Regional Council	SCALES	APPROVED	D. MAUNDER	31/08/2016	SHEET 1 OF 1	
	NTS	MANAGER ENGINEERING AND STANDARDS SUPPORT		DATE		
	SEWER MAINTENANCE HOLES STEP IRONS & LADDERS		SURV	AS SHEET SIZE	DRAWING No	AMDT No
			DRWN	VC	<b>A3</b> 010-034	
DES			CHKD	DATE 31/08/2016		
		CHKD	MW	CADFILE 010-034.dwg		