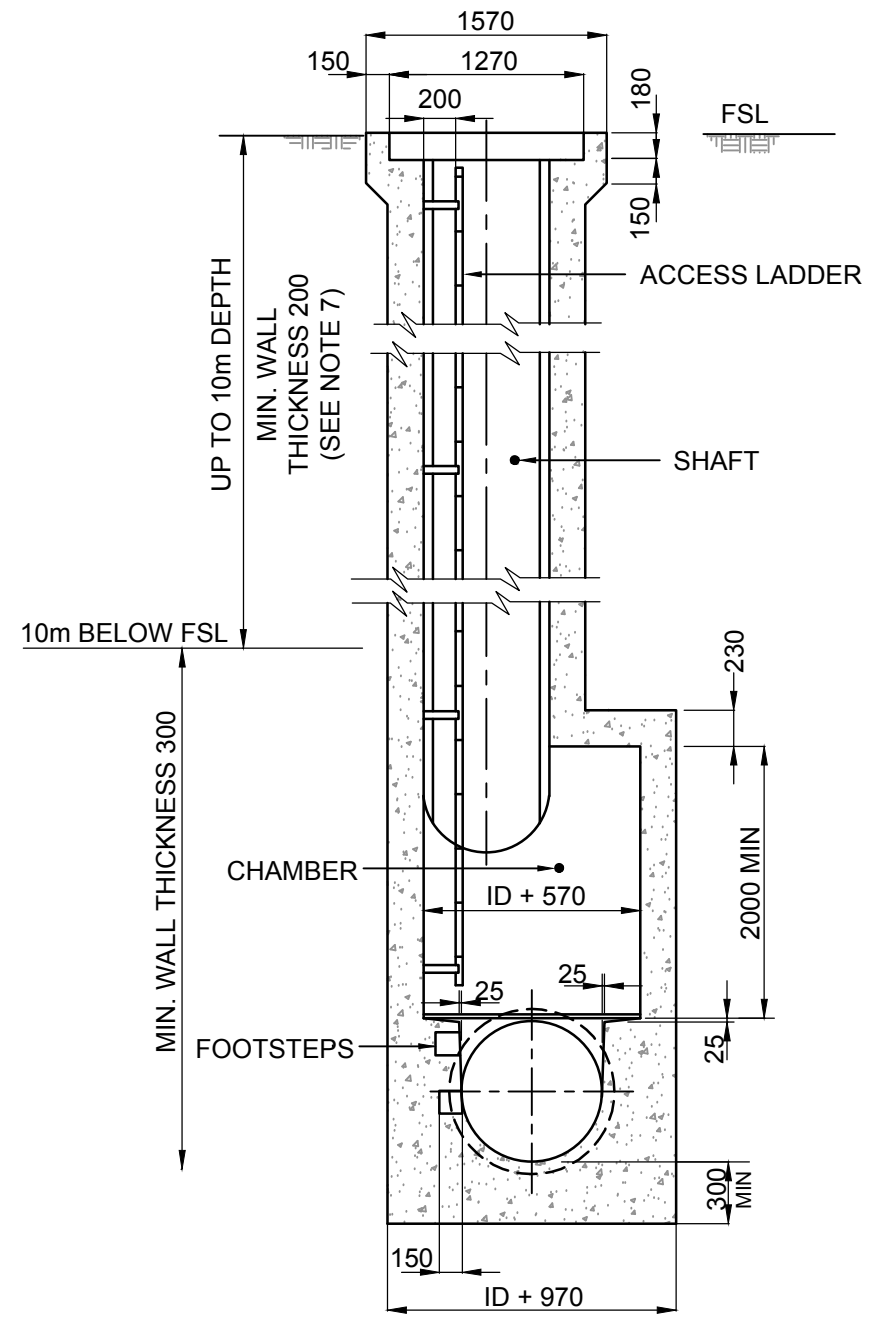


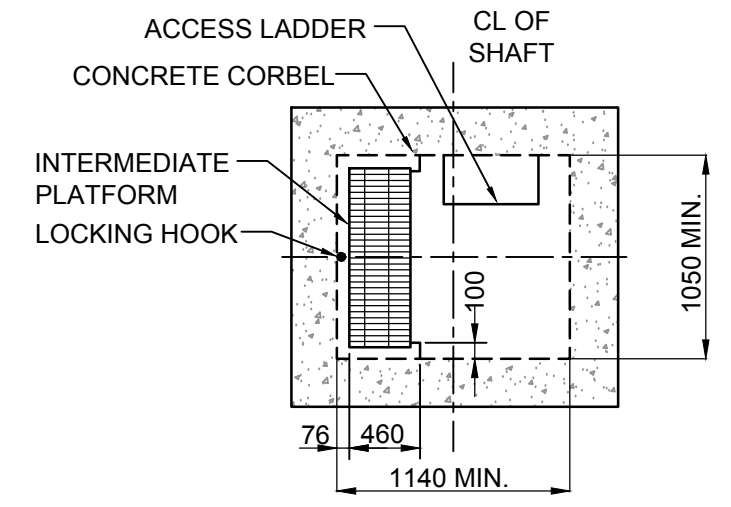
SECTION A-A



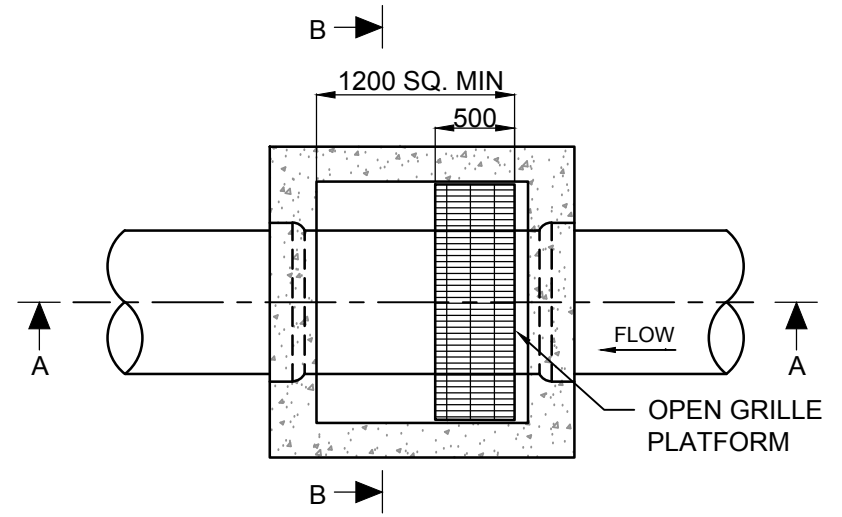
SECTION B-B

NOTES

1. ALL DIMENSIONS IN MILLIMETRES UNLESS OTHERWISE NOTED.
2. LOCATE TYPE S2 MH AS SHOWN IN DESIGN DRAWINGS.
3. CONCRETE TO BE SPECIAL CLASS AS PER WSA PS 358.
3. INSTALL VENTING WHERE INDICATED IN DESIGN DRAWINGS.
4. INSTALL HANDGRIPS WHERE INDICATED IN DESIGN DRAWINGS.
5. INTERMEDIATE PLATFORMS TO BE DESIGNED TO FOLD BACK FOR EQUIPMENT ACCESS.
6. DESIGN OF MH TO BE IN ACCORDANCE WITH AS3735. EXPOSURE CONDITION AS DEFINED IN AS3735 TO BE NOT LESS THAN CONDITION C AND SHOWN ON DESIGN DRAWING.
7. SHAFT WALLS TO BE MIN. 300 THICK WHERE IN CONTACT WITH AGGRESSIVE SOILS.
8. CONSTRUCTION DETAILS e.g. CONCRETE THICKNESS, REINFORCEMENT, HORIZONTAL AND VERTICAL ALIGNMENT TO BE SHOWN ON DESIGN DRAWING.



TYPICAL SECTION OF SHAFT  
(MAY BE CIRCULAR IF SUITABLE)



BASE PLAN

MAINTENANCE HOLE  
TYPE 'S2'

<b>Armidale</b> Dept of Public Regional Council <b>Infrastructure</b>	SCALES	APPROVED	D. MAUNDER	31/08/2016	SHEET 1 OF 1
	NTS	MANAGER ENGINEERING AND STANDARDS SUPPORT		DATE	
<b>SEWER MAINTENANCE HOLES</b> DEPTH TO INVERT > 15m		SURV	AS SHEET SIZE	DRAWING No	AMDT No
		DRWN	VC	<b>A3</b>	<b>010-031</b>
		DES			
		CHKD	MW	CADFILE 010-031.dwg	DATE 31/08/2016