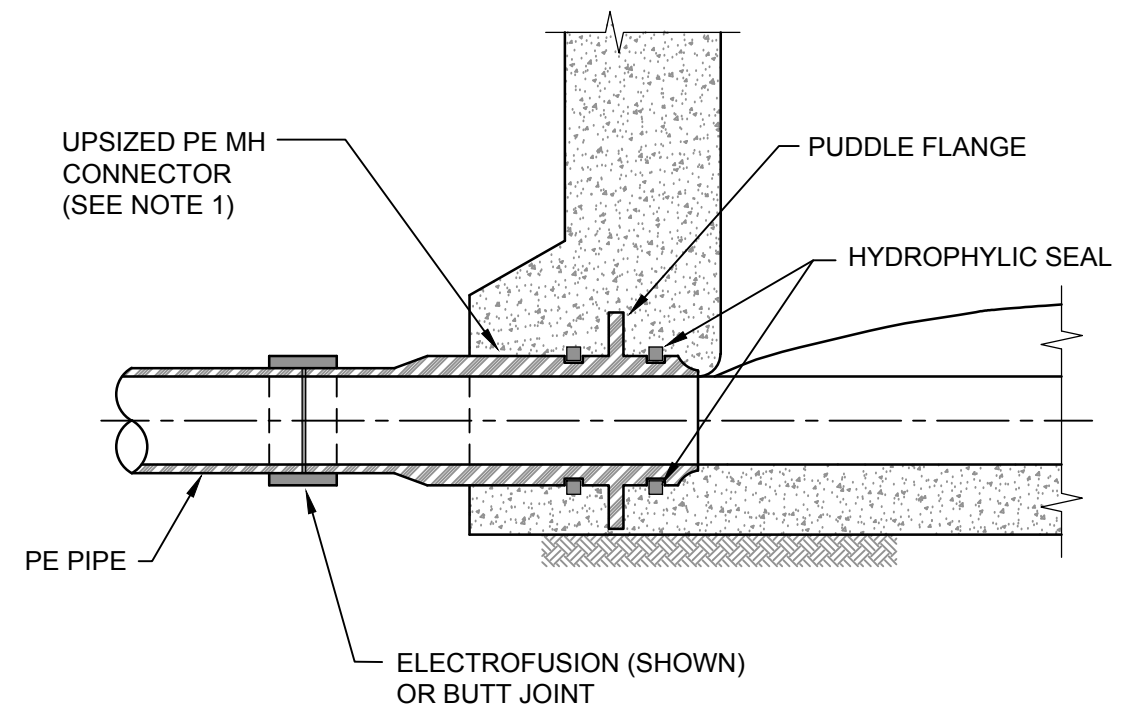


CONNECTION PE - PVC



CONNECTION PE - PE

NOTE

1. USE UPSIZED PE SECTIONS TO PREVENT PE CONTRACTING DUE TO CONTINUED LOADING
2. FOR CONNECTIONS TO OTHER PIPE MATERIALS SEE 010-035_2

Armidale <i>Dept of Public Infrastructure</i> Regional Council	SCALES	APPROVED	D. MAUNDER	31/08/2016	SHEET 1 OF 1
	NTS	MANAGER ENGINEERING AND STANDARDS SUPPORT		DATE	
SEWER MAINTENANCE HOLES CONNECTION DETAILS DN 110 TO DN 450PE PIPE		SURV	AS SHEET SIZE	DRAWING No	AMDT No
		DRWN TY	A3	010-027	
		DES			
		CHKD MW	CADFILE 010-027.dwg	DATE 31/08/2016	