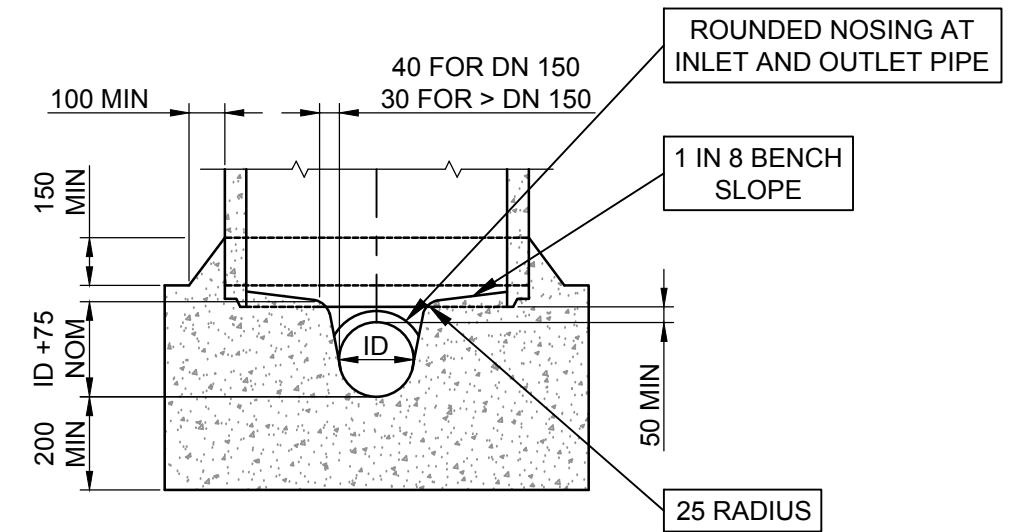
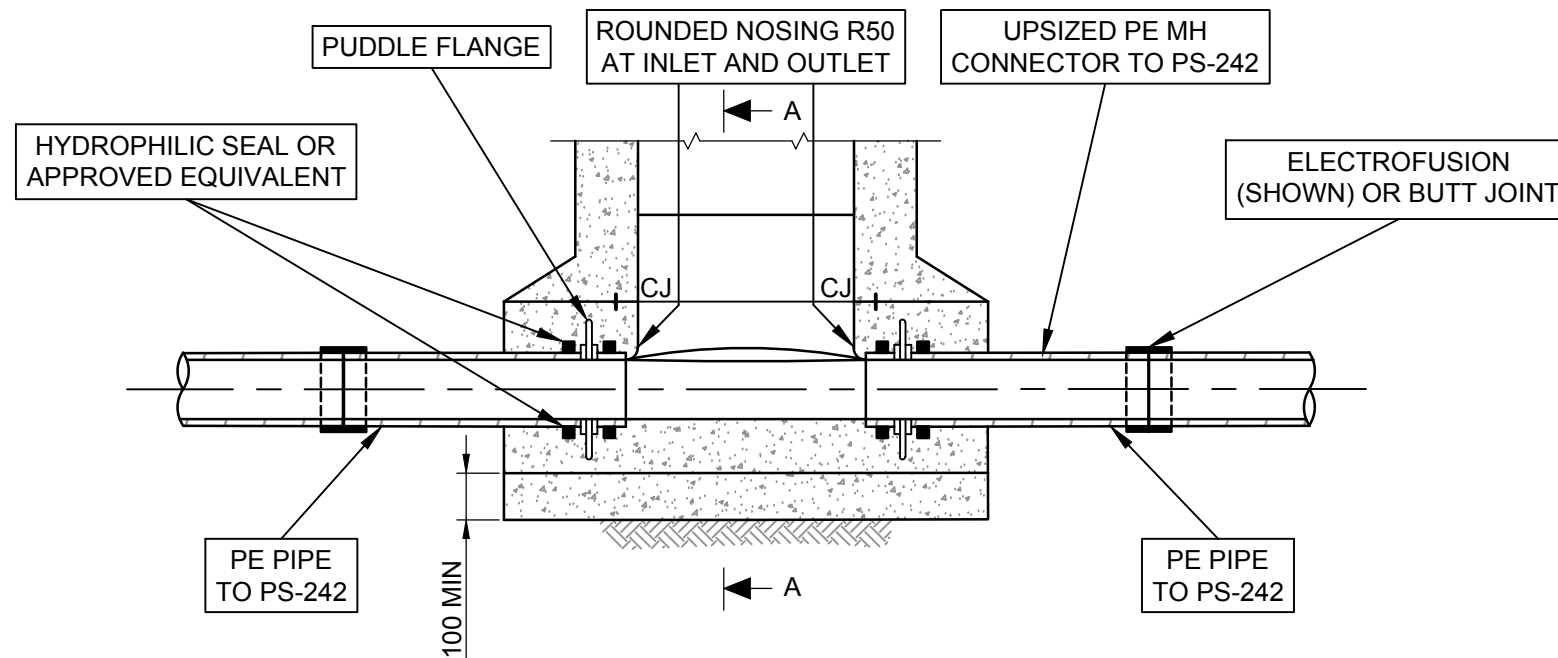


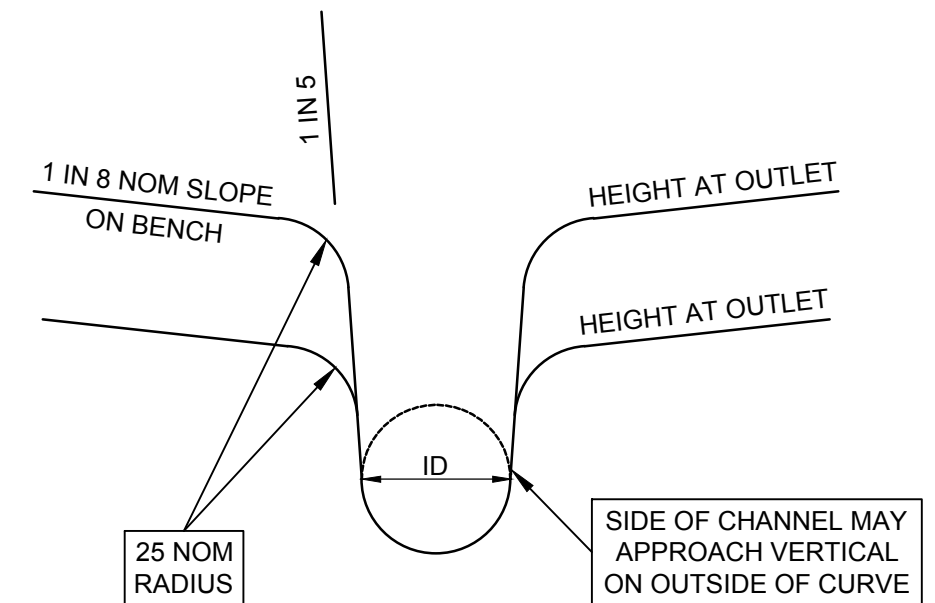
TYPICAL CAST IN-SITU CONCRETE MH BASE FOR PROFILE WALL PP SEWERS



SECTION A-A



TYPICAL CAST IN-SITU CONCRETE MH BASE FOR SOLID WALL PE SEWERS



TYPICAL CHANNEL DETAILS

NOTES

- FOR FURTHER MAINTENANCE HOLE INSTALLATION SPECIFICATIONS REFER DRAWINGS 010-035_1 AND 010-035_2.

Armidale <i>Dept of Public Infrastructure</i> Regional Council	SCALES	APPROVED	D. MAUNDER	31/08/2016	SHEET 3 OF 3	
	NTS	MANAGER ENGINEERING AND STANDARDS SUPPORT		DATE		
	SEWER MAINTENANCE HOLES MANHOLE BASES AND PIPE CONNECTION DETAILS		SURV	AS SHEET SIZE	DRAWING No	AMDT No
			DRWN ST	A3	010-026	
		DES MW	CADFILE 010-026_3.dwg			
		CHKD MW				