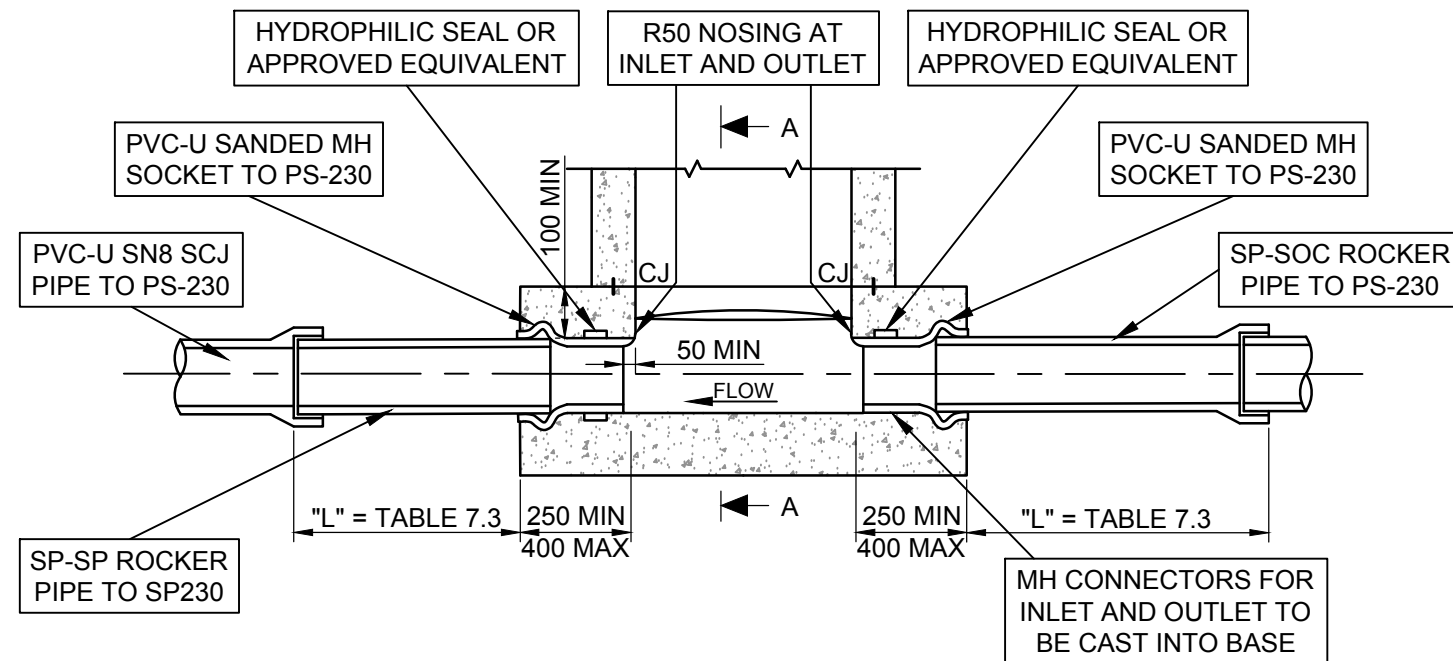
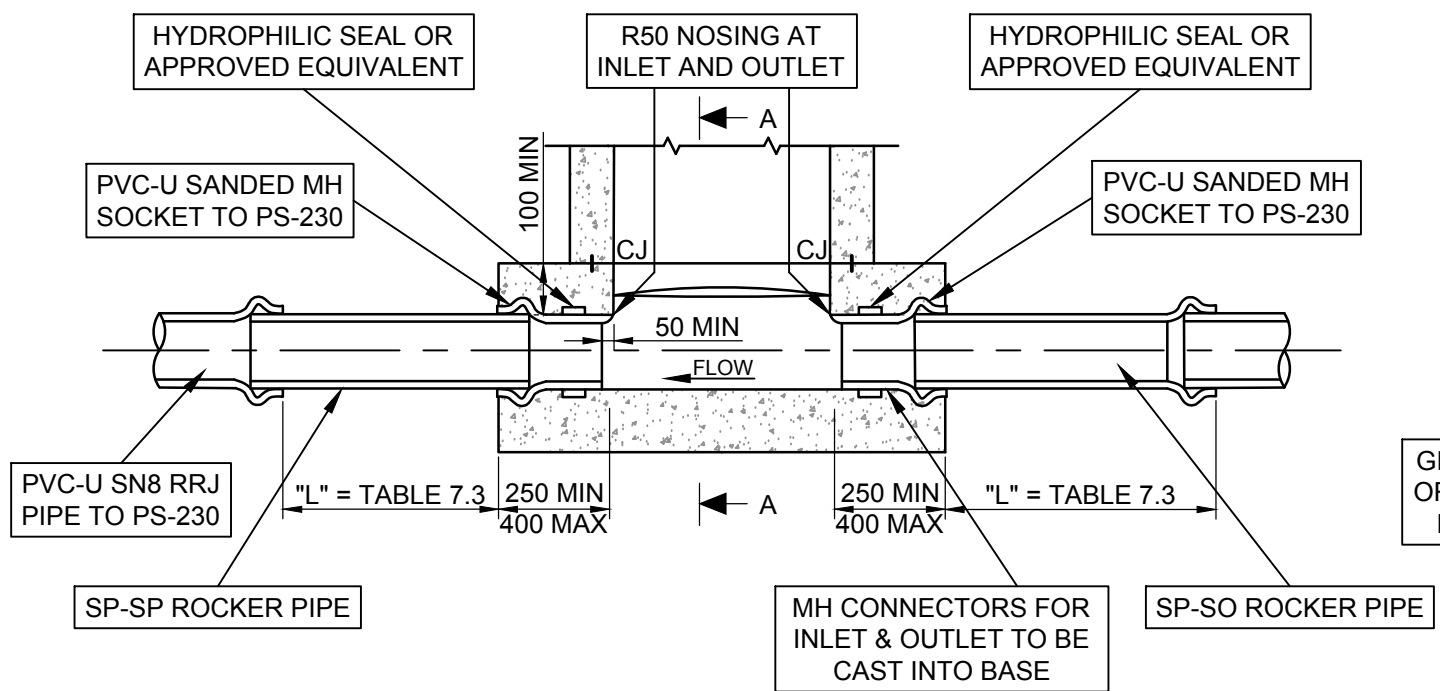


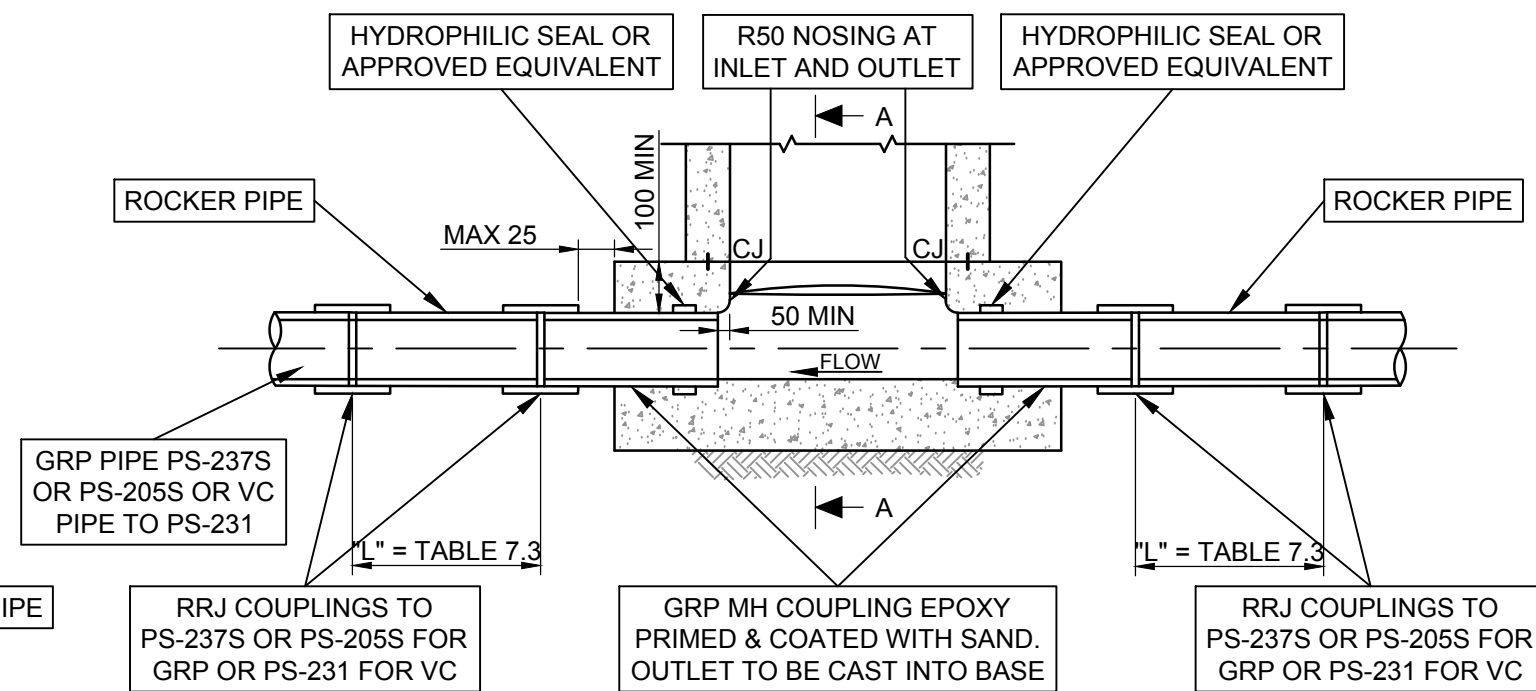
TYPICAL CAST IN-SITU CONCRETE MH BASE FOR VC, RC, AND DI RRJ SEWERS



TYPICAL CAST IN-SITU CONCRETE MH BASE FOR PVC-U SCJ



TYPICAL CAST IN-SITU CONCRETE MH BASE FOR PVC RRJ SEWERS



TYPICAL CAST IN-SITU CONCRETE MH BASE FOR VC AND GRP SLEEVED COUPLE SEWERS

NOTES

- FOR FURTHER MAINTENANCE HOLE INSTALLATION SPECIFICATIONS REFER DRAWINGS 010-035_1 AND 010-035_3.

Armidale Dept of Public Regional Council Infrastructure	SCALES	APPROVED	D. MAUNDER	31/08/2016	SHEET 2 OF 3	
	NTS	MANAGER ENGINEERING AND STANDARDS SUPPORT		DATE		
	SEWER MAINTENANCE HOLES MANHOLE BASES AND PIPE CONNECTION DETAILS		SURV	AS SHEET SIZE	DRAWING No	AMDT No
			DRWN ST	A3	010-026	
		DES MW	CADFILE 010-026_2.dwg			
		CHKD MW				