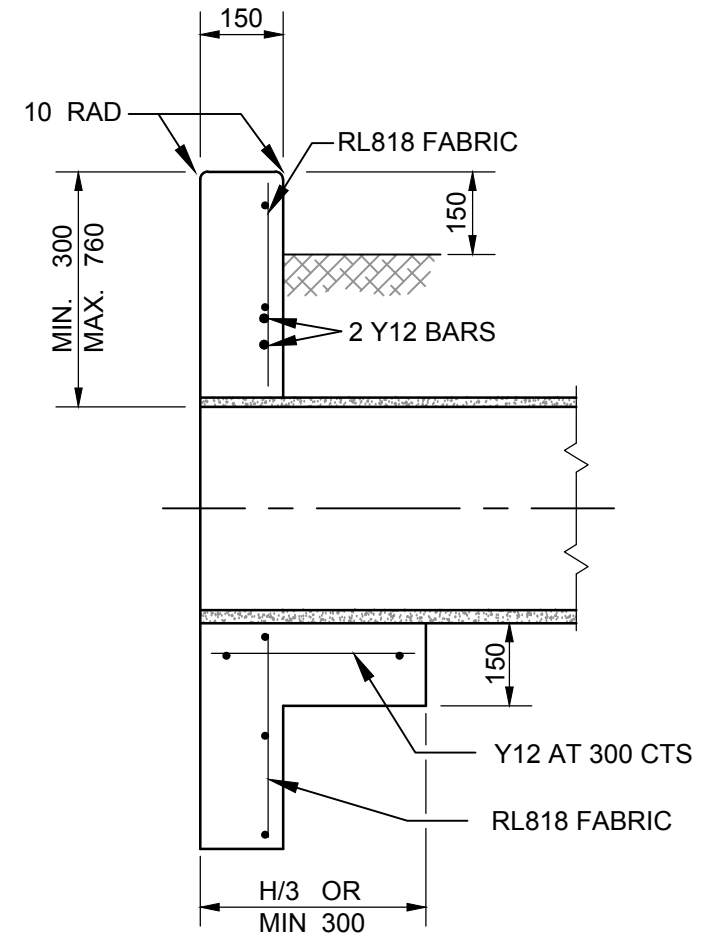
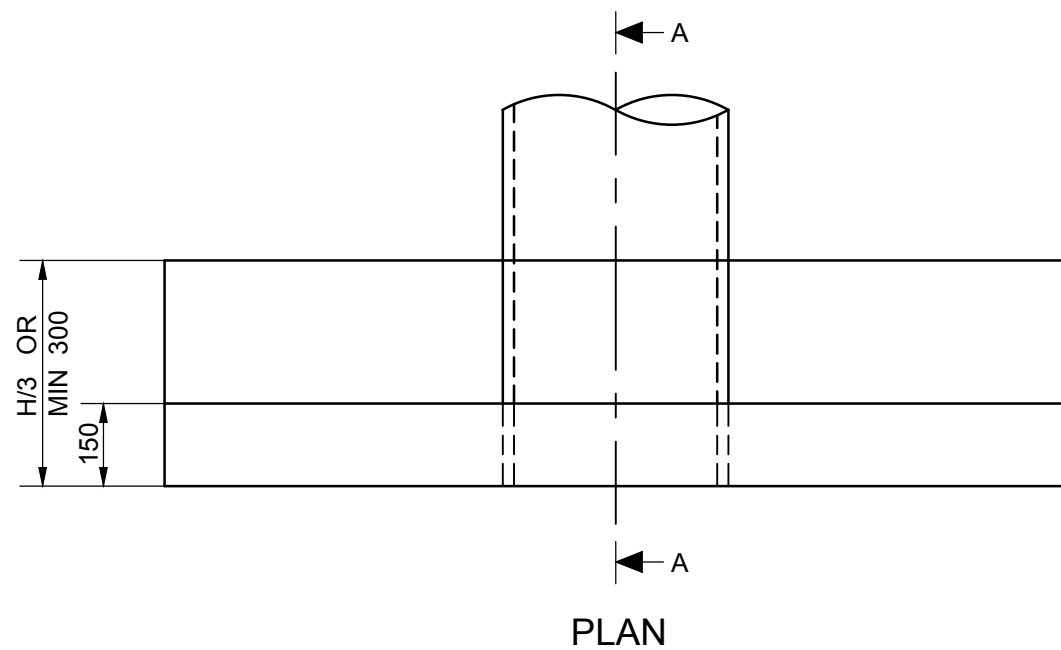


ELEVATION



SECTION A-A



PLAN

NOTES

1. COMPRESSIVE STRENGTH OF CONCRETE TO BE F'c 32 MPa AT 28 DAYS.
2. MINIMUM COVER OF CONCRETE OVER REINFORCEMENT TO BE 40mm.

Armidale <small>Regional Council</small> Dept of Public Infrastructure	SCALES NTS	APPROVED D. MAUNDER MANAGER ENGINEERING AND STANDARDS SUPPORT	31/08/2016 DATE	SHEET 1 OF 1
	STANDARD STRAIGHT HEADWALL (RM14)	SURV DRWN GW DES CHKD MW	AS SHEET SIZE A3	DRAWING No 080-038
		CADFILE 080-038.dwg		DATE 31/08/2016