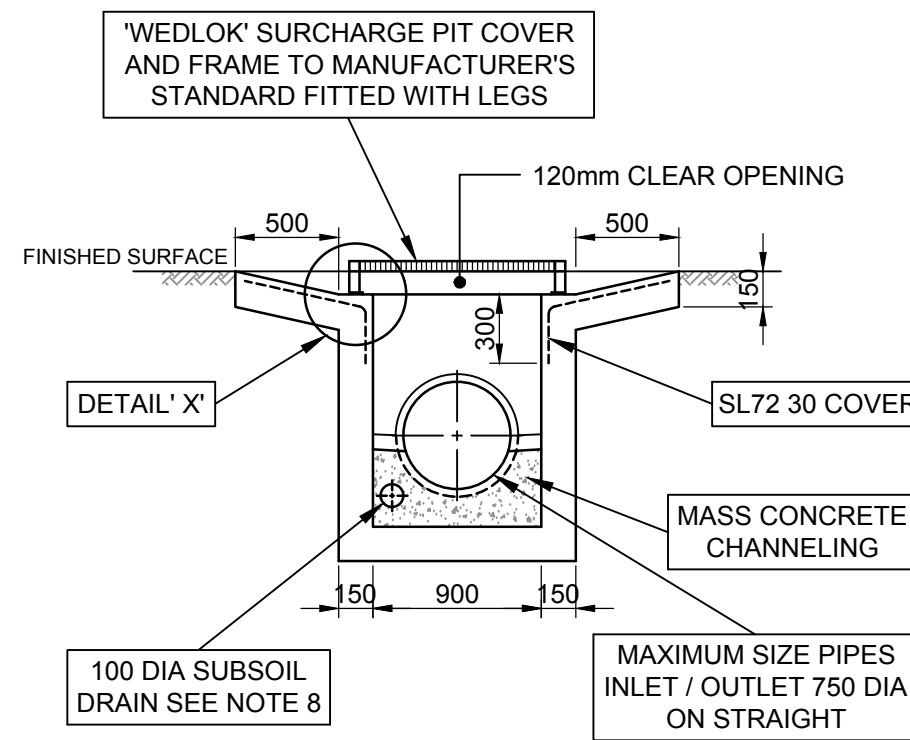
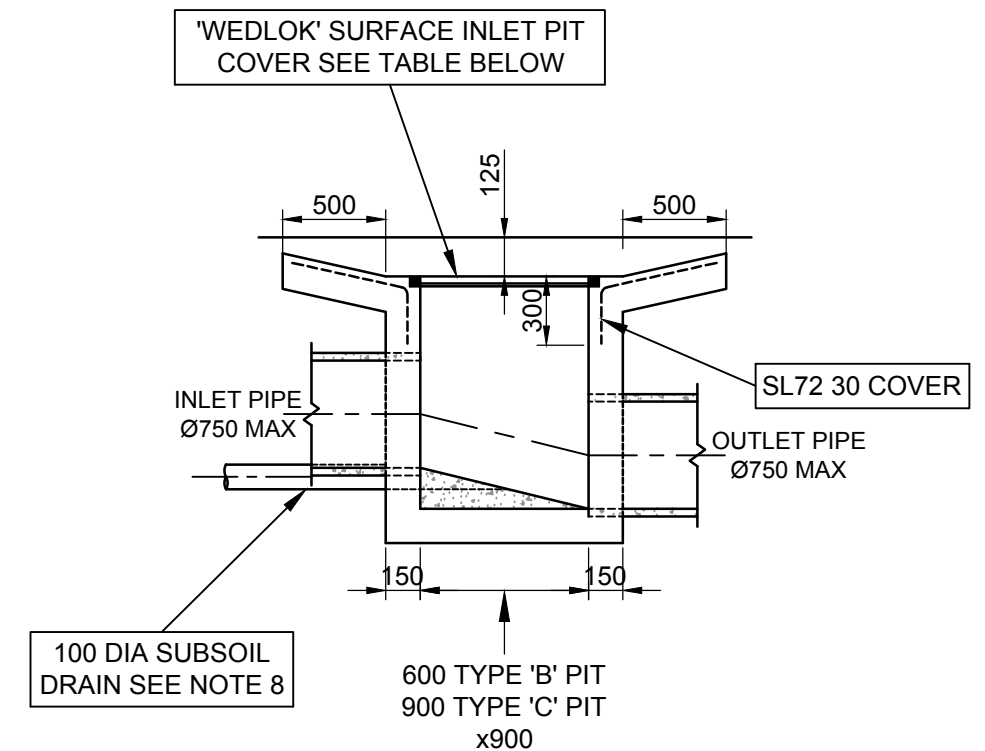


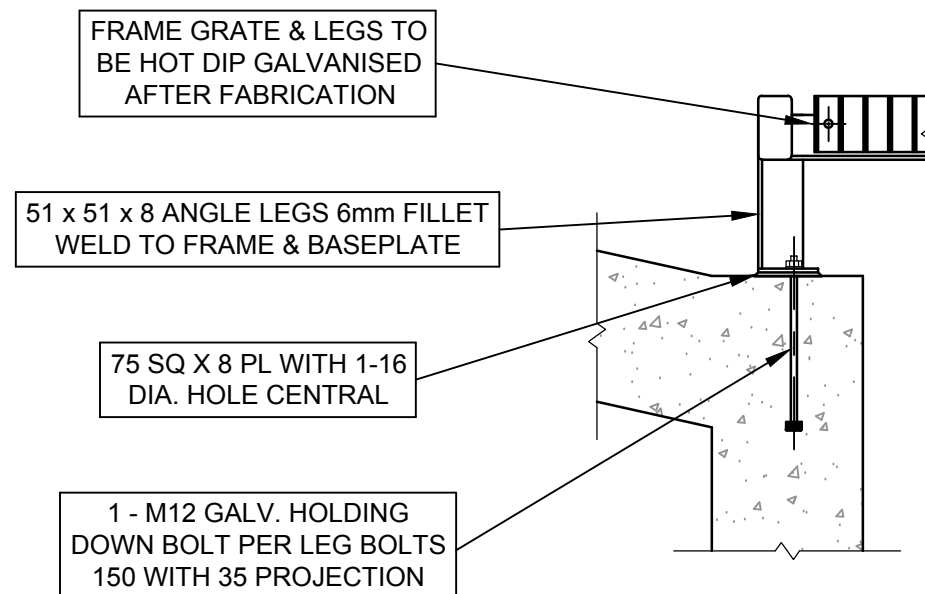
PLAN
SURCHARGE PITS
TYPES A, B & C



SECTION A-A
SURCHARGE PIT
TYPE A



SECTION B-B
SURCHARGE PIT
TYPES B & C



DETAIL 'X'

| SURCHARGE PITS SIZES TABLE | |
|----------------------------|--------------|
| PIT | OPENING SIZE |
| TYPE A | 900 X 900 |
| TYPE B | 600 X 900 |
| TYPE C | 900 X 900 |

NOTES

1. COMPRESSIVE STRENGTH f_c FOR CAST INSITU CONCRETE TO BE A MINIMUM OF 32 MPA AT 28 DAYS .
2. ALL DIMENSIONS ARE IN MILLIMETERS.
3. PROVIDE SL92 MESH PLACED CENTRALLY IN WALLS AND BASE OF PITS >1.5m DEEP. 50 MIN COVER RETURN MESH 300 INTO BASE AND SIDES.
4. ALL STEELWORK SHALL BE HOT DIP GALVANISED IN ACCORDANCE WITH AS1650.
5. PROVIDE MIN 50mm DROP THROUGH PIT.
6. WHERE PIT IS DEEPER THAN 1200 PROVIDE STEP IRONS.
7. TOP OF BENCHING TO BE $\frac{1}{2}$ OF OUTLET PIPE DIAMETER.
8. 100 DIA. SUBSOIL DRAINAGE PIPE 300 LONG WRAPPED IN FABRIC SOCK TO BE PROVIDED IN PIPE TRENCHES ADJACENT TO INLET PIPE.

| | | | | |
|--------------------------------------|---|--|-----------------------------------|--|
| Dept of Public Infrastructure | SCALES NTS | APPROVED M.WILSON PROGRAM LEADER INVESTIGATION AND DESIGN | 7/08/2017 DATE | SHEET 1 OF 1 |
| | STANDARD SURFACE INLET / SURCHARGE PITS (RM11) | | SURV DRWN ST DES CHKD MW | AS SHEET SIZE A3 DRAWING No 080-036 AMDT No A CADFILE 080-036.dwg DATE 7/08/2016 |