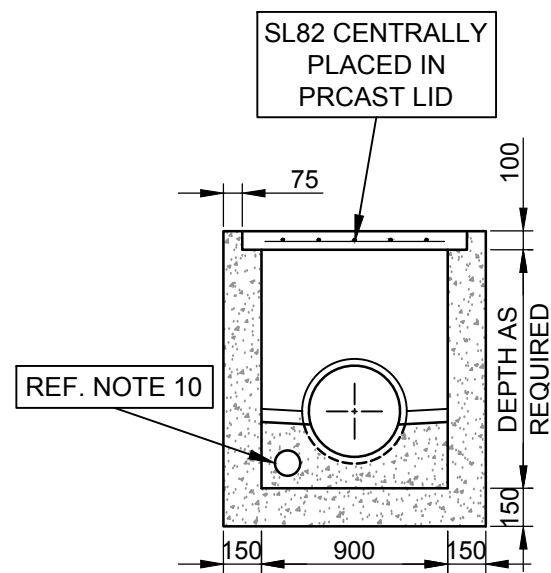


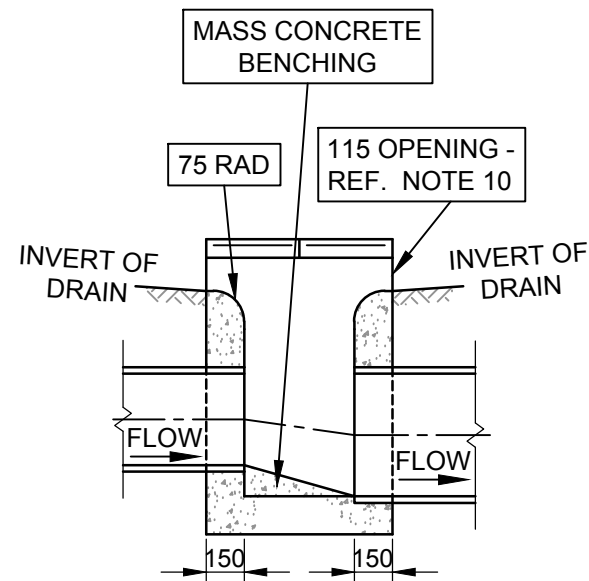
PLAN

25 x 75 RECESS TO CONTAIN R.10 GALV. LIFTING BAR

MAXIMUM PIPE SIZES - TYPE A PIT
 INLET / OUTLET PIPE ON STRAIGHT -825 DIA.
 INLET / OUTLET PIPE AT 45° SKEW -525 DIA.
 SIDE ENTRY / OUTLET PIPE ON STRAIGHT -600 DIA.
 SIDE ENTRY / OUTLET PIPE AT 45° SKEW -375 DIA.

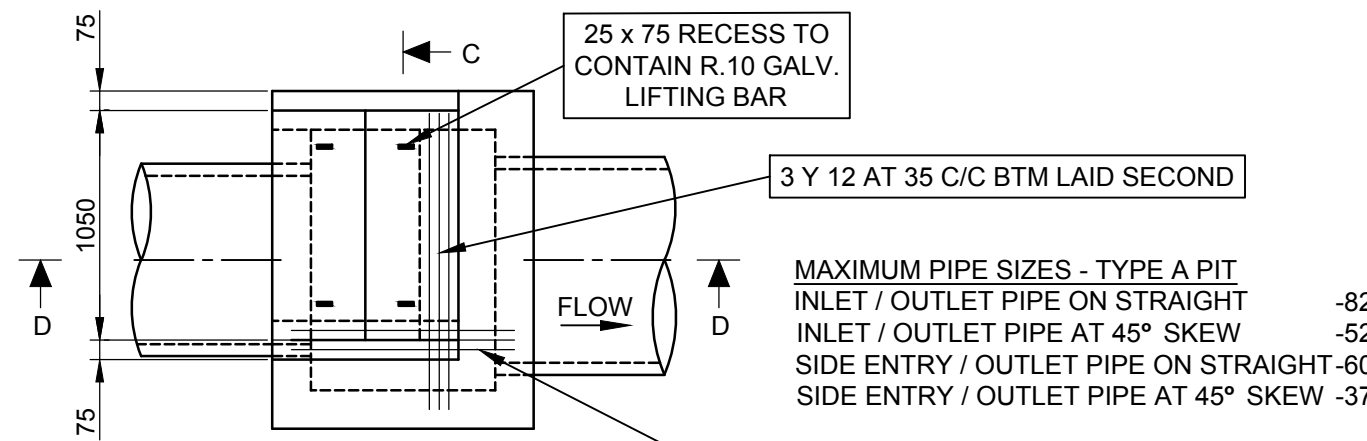


SECTION C-C



SECTION D-D

SURFACE INLET PIT TYPE A

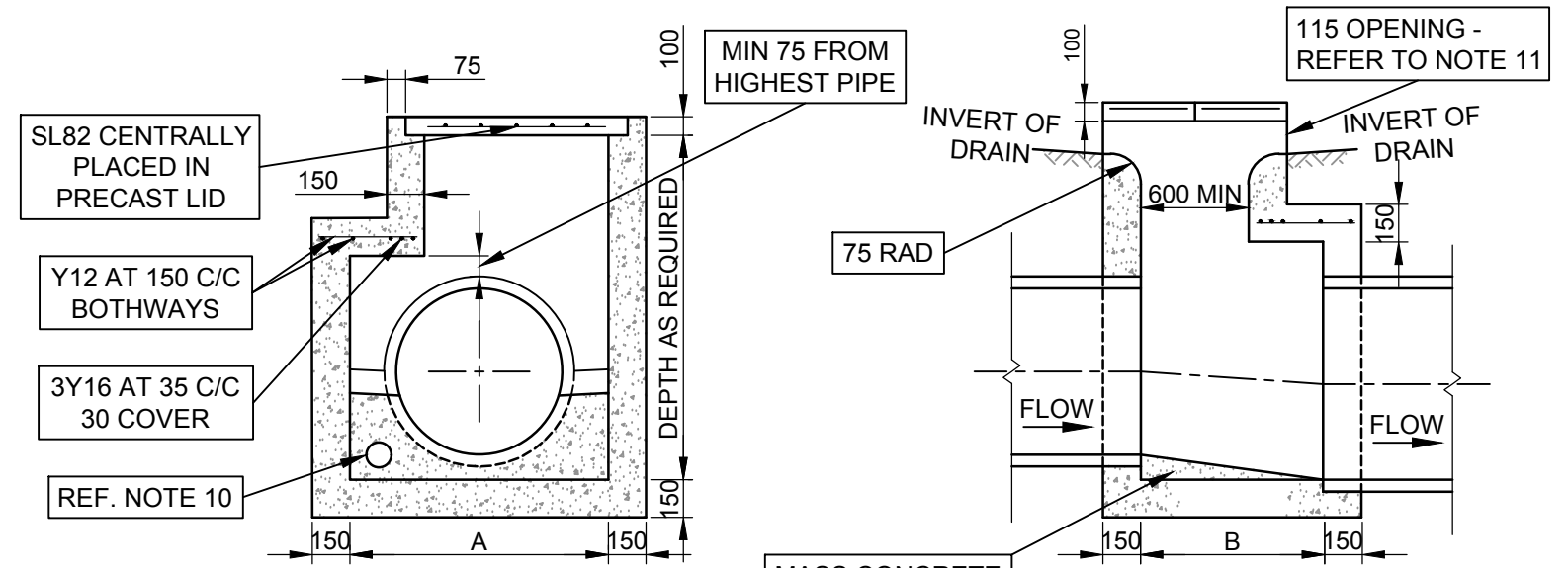


PLAN

25 x 75 RECESS TO CONTAIN R.10 GALV. LIFTING BAR

3 Y 12 AT 35 C/C BTM LAID SECOND

MAXIMUM PIPE SIZES - TYPE A PIT
 INLET / OUTLET PIPE ON STRAIGHT -825 DIA.
 INLET / OUTLET PIPE AT 45° SKEW -525 DIA.
 SIDE ENTRY / OUTLET PIPE ON STRAIGHT -600 DIA.
 SIDE ENTRY / OUTLET PIPE AT 45° SKEW -375 DIA.



SECTION A-A

SECTION B-B

DIAMETER OF OUTLET ON STRAIGHT	A		DIAMETER OF OUTLET ON STRAIGHT	B	
	A	B		A	B
900	1050	900	1500	1650	1200
1050	1200	900	1650	1800	1200
1200	1350	900	1800	1950	1200
1350	1500	1050			

SURFACE INLET PIT TYPE B

NOTES

- ALL MEASUREMENTS ARE IN MILLIMETERS.
- COMPRESSIVE STRENGTH f_c FOR CAST INSITU TO BE MIN N32 TO AS3600.
- ALL DIMENSIONS IN MILLIMETRES UNLESS OTHERWISE SHOWN.
- SIDE WALLS OF ALL PITS DEEPER THAN 1500mm ARE TO BE REINFORCED WITH ONE LAYER OF SL82 MESH RETURNED 300mm INTO BASE.
- DEPTH OF PIT NOT TO EXCEED 3500mm.
- ALL REINFORCEMENT LAPS TO BE 300mm LONG.
- MINIMUM COVER OF REINFORCEMENT SHALL BE 50 UNLESS SHOWN OTHERWISE.
- WHERE PIT IS DEEPER THAN 1200mm PROVIDE STEP IRONS.
- TOP OF BENCHING TO BE $\frac{1}{2}$ OF OUTLET PIPE DIAMETER.
- 100 DIA SUBSOIL DRAINAGE PIPE 3000mm LONG WRAPPED IN FABRIC SOCK TO BE PROVIDED ADJACENT TO INLET PIPES.
- WHERE INLET OPENING IN SURFACE INLET PIT IS GREATER THAN 115mm IS REQUIRED AN R20 DIA GALVANISED BAR SHALL BE PLACED HORIZONTALLY ACROSS THE OPENING AT MID HEIGHT.

Armidale Dept of Public Regional Council Infrastructure	SCALES NTS	APPROVED D. MAUNDER 31/08/2016 <small>MANAGER ENGINEERING AND STANDARDS SUPPORT</small>	SHEET 1 OF 1
		SURV DRWN ST DES MW CHKD MW	AS SHEET SIZE A3
SURFACE INLET PIT CONCRETE LID (RM9)		CADFILE 080-034.dwg	DATE 31/08/2016