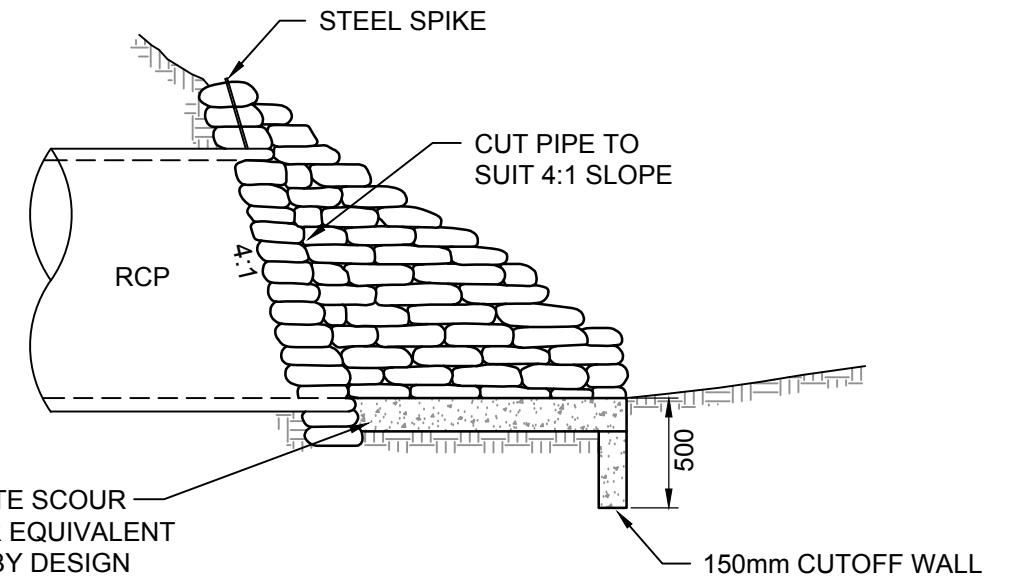
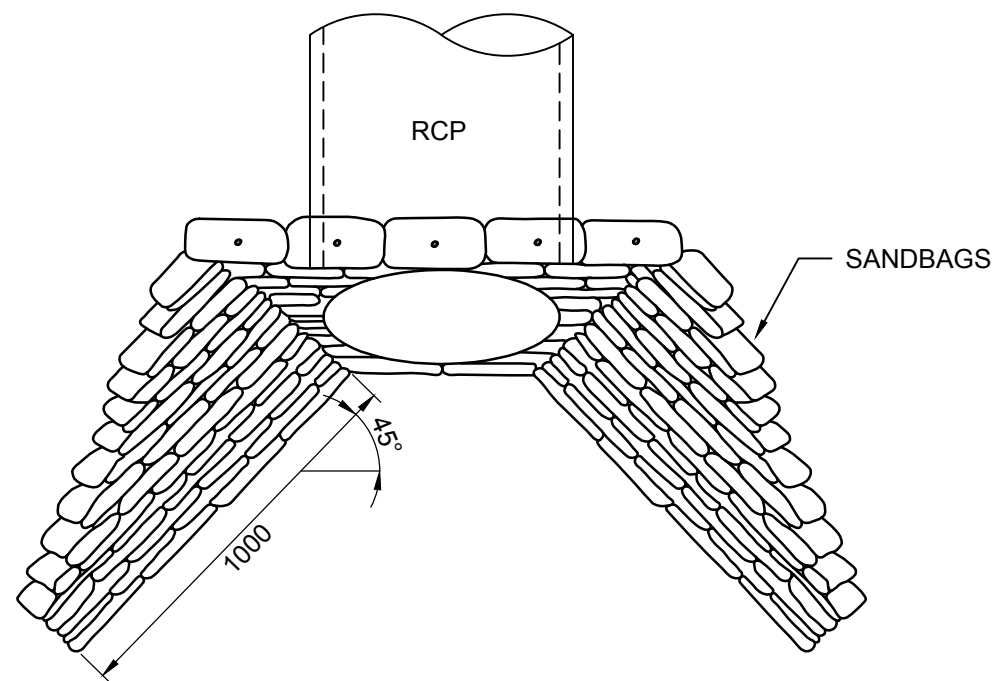


ELEVATION



SECTIONAL ELEVATION



PLAN

150mm CONCRETE SCOUR PROTECTION OR EQUIVALENT AS APPROVED BY DESIGN ENGINEER. 32 MPa CONCRETE SL92 MESH

NOTES

1. SANDBAG TO BE FILLED WITH CEMENT STABILIZED SAND TO A UNIFORM SIZE. PLACE DRY AND WET DOWN AFTER INSTALLATION.
2. ALL BAG-ENDS TO BE TUCKED NEATLY OUT OF SIGHT.
3. SANDBAGS TO BE SPIKED IN LAYERS OF SIX.
4. FINAL SPIKES TO BE FLUSH WITH TOP OF WALL.
5. SPIKES TO BE Ø10mm PLAIN BAR.

Armidale Regional Council Dept of Public Infrastructure	SCALES NTS	APPROVED D. MAUNDER 31/08/2016 <small>MANAGER ENGINEERING AND STANDARDS SUPPORT</small>	DATE 31/08/2016	SHEET 1 OF 1
		SURV DRWN VC DES CHKD MW	AS SHEET SIZE A3	DRAWING No 080-042
SANDBAG HEADWALL		CADFILE 080-042.dwg		DATE 31/08/2016