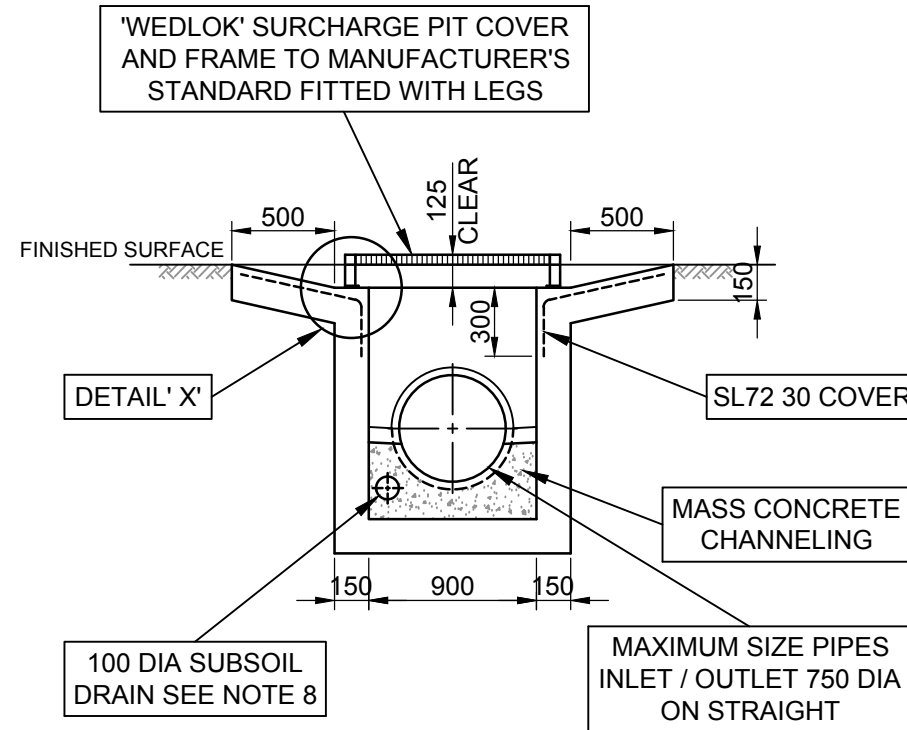
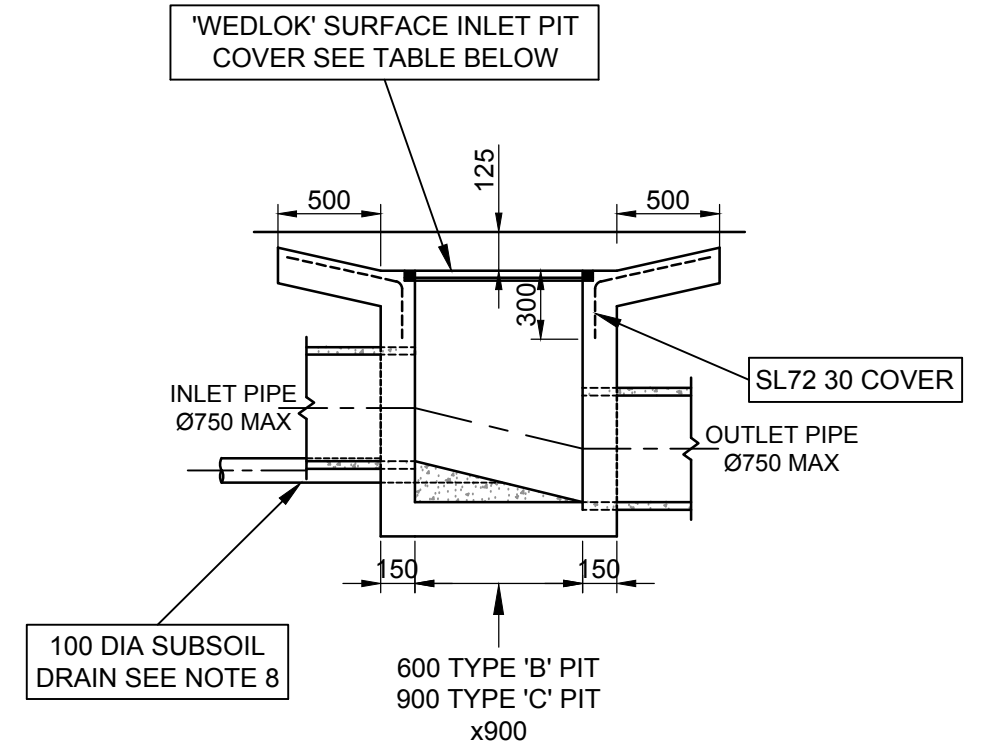


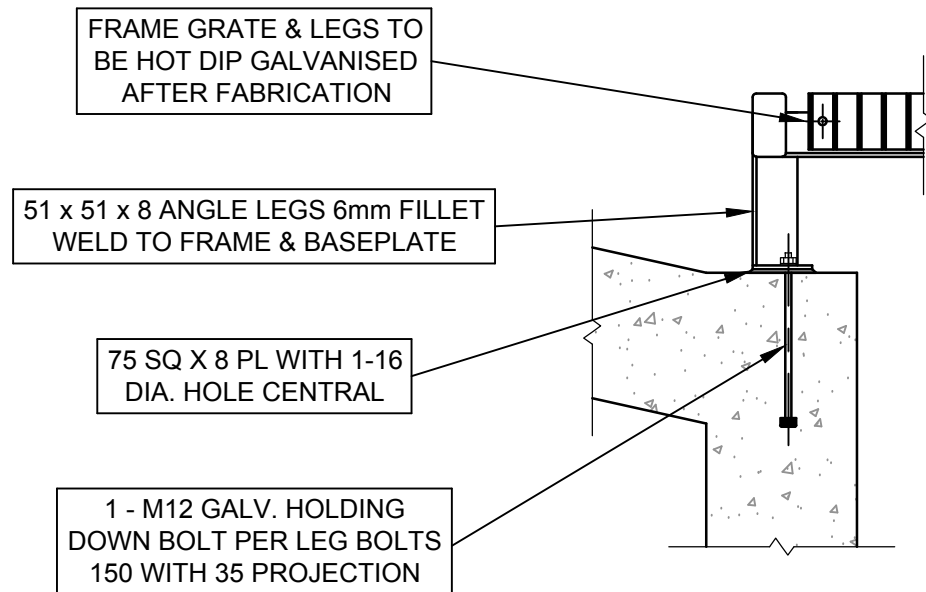
PLAN  
SURCHARGE PITS  
TYPES A, B & C



SECTION A-A  
SURCHARGE PIT  
TYPE A



SECTION B-B  
SURCHARGE PIT  
TYPES B & C



DETAIL 'X'

SURCHARGE PITS SIZES TABLE	
PIT	OPENING SIZE
TYPE A	900 X 900
TYPE B	600 X 900
TYPE C	900 X 900

NOTES

1. COMPRESSIVE STRENGTH  $f_c$  FOR CAST INSITU CONCRETE TO BE A MINIMUM OF 32 MPA AT 28 DAYS .
2. ALL DIMENSIONS ARE IN MILLIMETERS.
3. PROVIDE SL92 MESH PLACED CENTRALLY IN WALLS AND BASE OF PITS >1.5m DEEP. 50 MIN COVER RETURN MESH 300 INTO BASE AND SIDES.
4. ALL STEELWORK SHALL BE HOT DIP GALVANISED IN ACCORDANCE WITH AS1650.
5. PROVIDE MIN 50mm DROP THROUGH PIT.
6. WHERE PIT IS DEEPER THAN 1200 PROVIDE STEP IRONS.
7. TOP OF BENCHING TO BE  $\frac{1}{2}$  OF OUTLET PIPE DIAMETER.
8. 100 DIA. SUBSOIL DRAINAGE PIPE 300 LONG WRAPPED IN FABRIC SOCK TO BE PROVIDED IN PIPE TRENCHES ADJACENT TO INLET PIPE.

<b>Armidale</b> Dept of Public Regional Council Infrastructure	SCALES	APPROVED	M.WILSON	7/08/2017	SHEET 1 OF 1
	NTS	PROGRAM LEADER INVESTIGATION AND DESIGN		DATE	
<b>STANDARD SURFACE INLET / SURCHARGE PITS (RM11)</b>		SURV	AS SHEET SIZE	DRAWING No	AMDT No
		DRWN ST	<b>A3</b>	<b>080-036</b>	<b>A</b>
		DES			
		CHKD MW	CADFILE 080-036.dwg	DATE 7/08/2016	