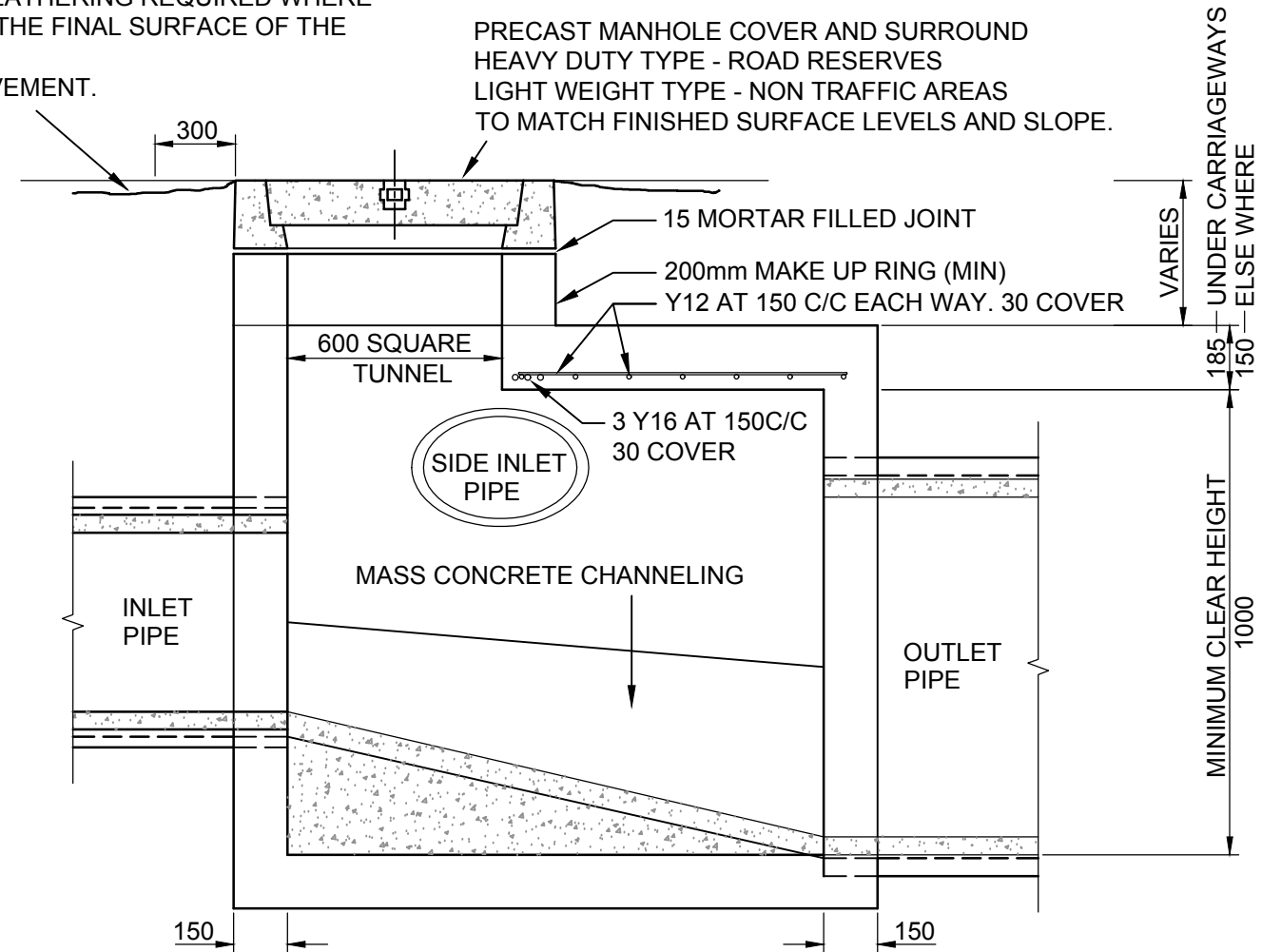


PLAN

300 WIDE FEATHERING WITH PREMIX ALL ROUND PRIOR TO HOTMIX FOR PITS IN CARRIAGEWAY LOCATIONS. NO FEATHERING REQUIRED WHERE  
 1. FLUSH SEAL IS THE FINAL SURFACE OF THE CARRIAGEWAY.  
 2. CONCRETE PAVEMENT.



SECTION A-A

NOTES

- ALL MEASUREMENTS ARE IN MILLIMETERS.
- 100 DIA. DRAINAGE PIPE 3000 LONG WRAPPED IN FABRIC SOCK TO BE PROVIDED ADJACENT TO INLET PIPES.
- MAXIMUM OUTLET PIPE ON STRAIGHT 900 DIAMETER.
- MAXIMUM OUTLET PIPE ON SKEW 825 DIAMETER.
- MAXIMUM SIDE ENTRY PIPE 825 DIAMETER AT APPROXIMATELY 40° SKEW.
- MINIMUM INTERNAL DIMENSIONS - LENGTH 900  
 - WIDTH 700  
 - HEIGHT 1000
- COMPRESSIVE STRENGTH (F'c) FOR CAST IN SITU CONCRETE TO BE MINIMUM 32 MPa AT 28 DAYS.
- PROVIDE SL92 MESH CENTRALLY PLACED TO WALLS AND BASE FOR PITS ≥ 1.5m DEEP PLUS Y12 STARTER BARS SPACED AT 150 C/C.
- STEP IRON DETAILS - REFER ARC DWG.
- MAKE UP RINGS TO BE UTILIZED UNDER MANHOLE COVER TO ALLOW FOR FUTURE ADJUSTMENT IN ROAD PAVEMENTS.
- IN DEEP PITS THE VERTICAL TURRET MAY BE EXTENDED WITH COUNCIL APPROVAL. DESIGN STRUCTURALLY TO SUIT DEPTH.

\* NEW PIT INSTALLATIONS

ALL NEW PITS SHALL BE INSTALLED WITH CAST DUCTILE IRON MH COVERS WITH CONCRETE SURROUNDS. ALL MH COVERS SHALL BE CLASS D FOR ALL INSTALLATIONS.

<b>Armidale</b> <i>Dept of Public Infrastructure</i> Regional Council	APPROVED D. MAUNDER 31/08/2016 <small>MANAGER ENGINEERING AND STANDARDS SUPPORT</small>	SHEET 1 OF 1
	SURV DRWN JB DES CHKD MW	AS SHEET SIZE <b>A3</b>
<b>STANDARD JUNCTION PIT (RM6)</b>		CADFILE 080-032.dwg DATE 31/08/2016