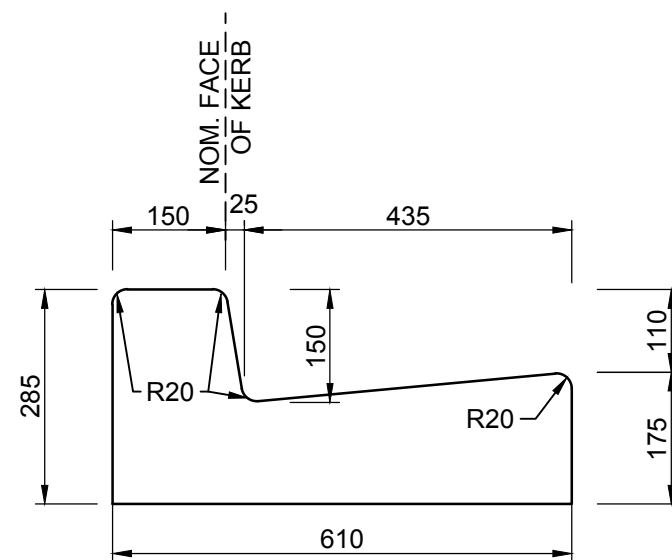
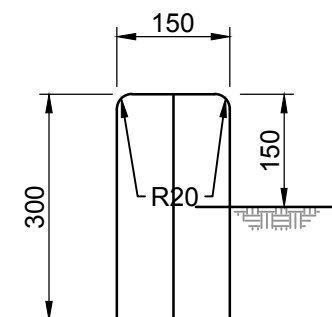


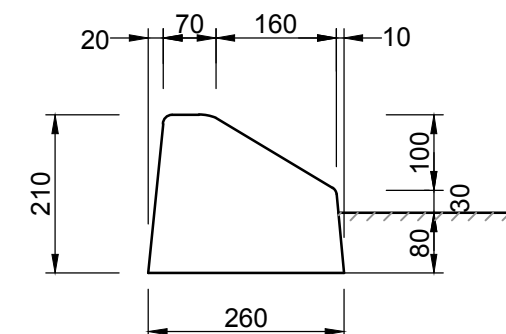
**MOUNTABLE KERB AND GUTTER**  
SECTIONAL AREA 0.107m<sup>2</sup>



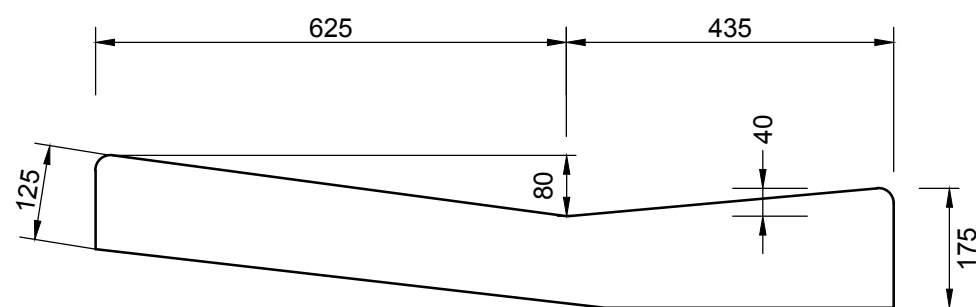
**STANDARD BARRIER KERB AND GUTTER**  
SECTIONAL AREA 0.115m<sup>2</sup>



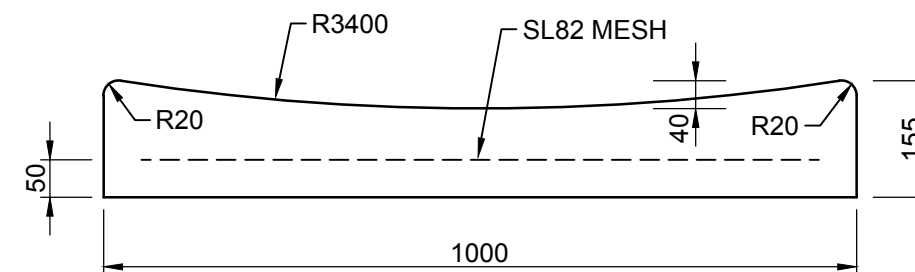
**KERB ONLY**  
SECTIONAL AREA 0.045m<sup>2</sup>



**RAISED MEDIANS AND TRAFFIC ISLANDS  
SF KERB**  
SECTIONAL AREA 0.043m<sup>2</sup>



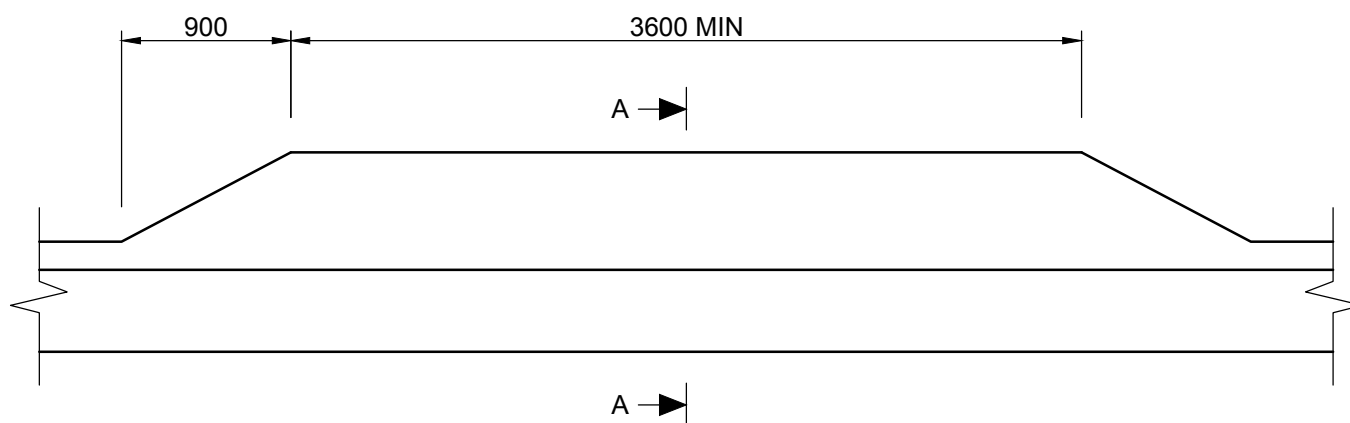
**SECTION A-A**  
SECTIONAL AREA 0.142m<sup>2</sup>



**STANDARD DISH CROSSING**  
SECTIONAL AREA 0.136m<sup>2</sup>

**NOTE**

1. ALL MEASUREMENTS ARE IN MILLIMETERS.



**STANDARD KERB LAYBACK FOR VEHICULAR ENTRANCE**

<b>Armidale</b> Dept of Public Regional Council <b>Infrastructure</b>	SCALES	APPROVED	M.WILSON	7/08/2017	SHEET 1 OF 1
	NTS		PROGRAM LEADER INVESTIGATION AND DESIGN	DATE	
<b>STANDARD FOR KERB &amp; GUTTER, VEHICULAR AND DISH CROSSINGS</b>		SURV	AS SHEET SIZE	DRAWING No	AMDT No
		DRWN VC/ST	<b>A3</b>	030-065	<b>B</b>
		DES			
		CHKD MW			