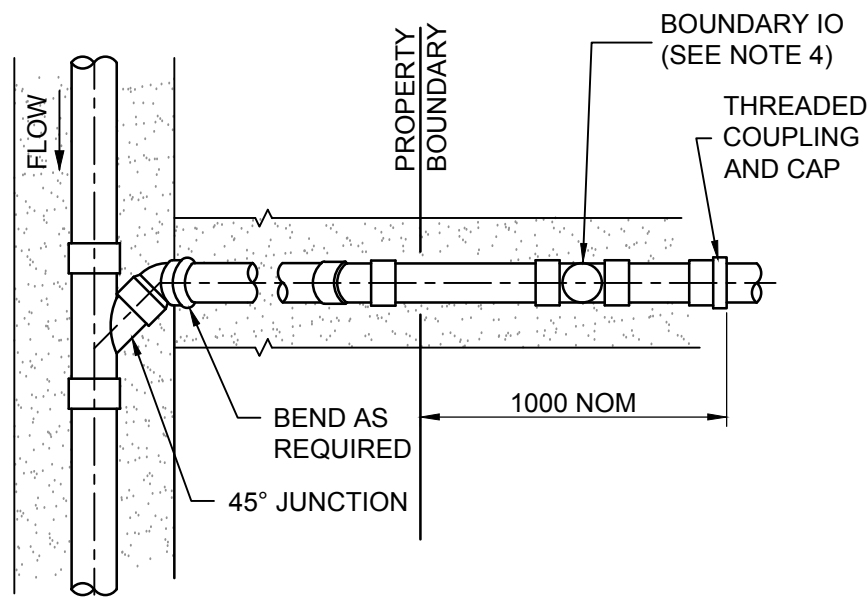
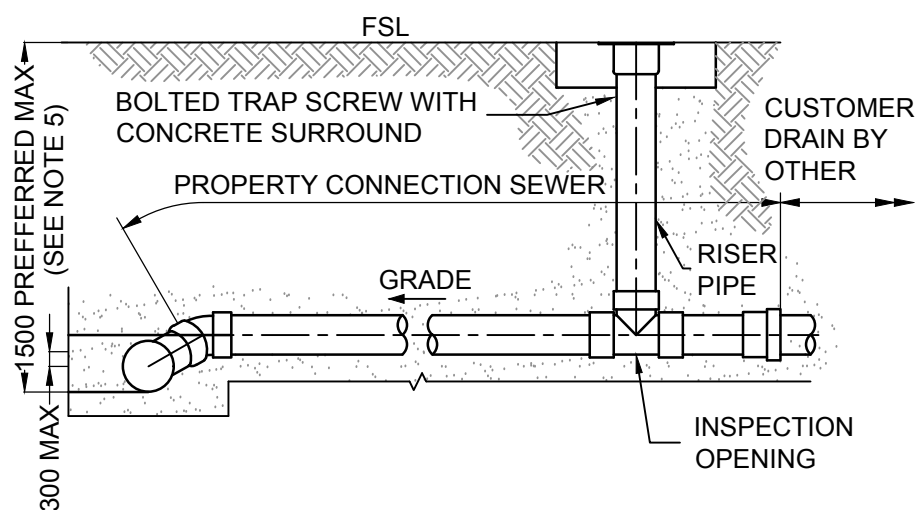
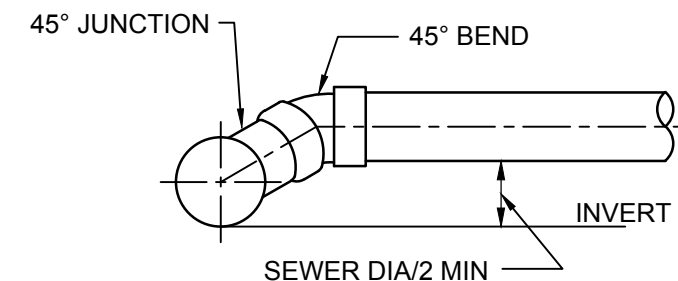


PLAN

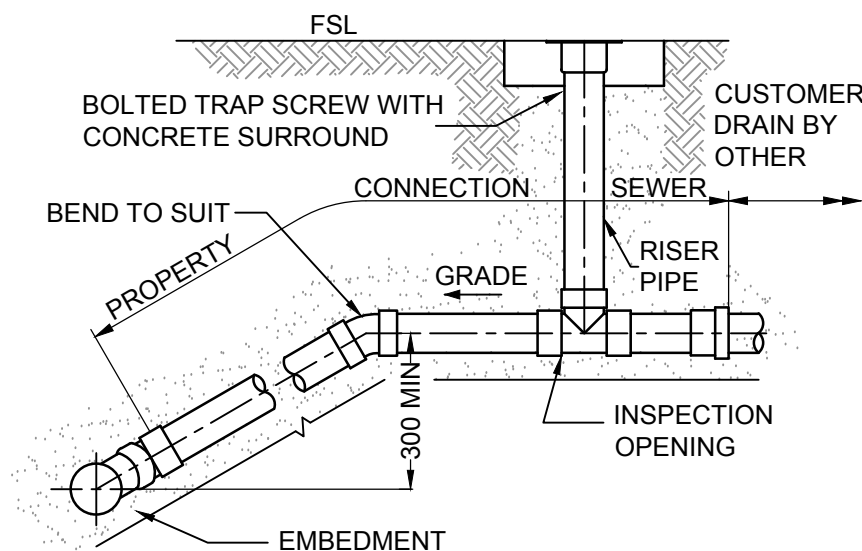


PLAN



ELEVATION

STANDARD CONNECTION
(UP TO 300 VERTICAL DROP)



ELEVATION

SLOPED CONNECTION
(VERTICAL DROP > 300 AND EMBANKMENT)

NOTES:

1. ALL DIMENSIONS IN MILLIMETERS.
2. LOCATE INSPECTION OPENINGS IN ACCORDANCE WITH DESIGN DRAWINGS OR WATER AGENCY REQUIREMENTS.
3. ALL CONNECTION TYPES SHOWN ON THIS DRAWING ARE TO BE PVC (RRJ) PIPES UNLESS OTHERWISE PERMITTED.
4. BOUNDARY IO IS THE START OF THE CUSTOMER SEWER. LOCATION, IO COVER, FRAME AND SUPPORT SLAB TO BE AS SPECIFIED BY WATER AGENCY.
5. CONNECTION POINT TO BE $\leq 1.5\text{m}$ BELOW SURFACE.
6. GRADE OF PROPERTY CONNECTION SEWER TO BE NOT LESS THAN;
 - DN 100 1.65%
 - DN 150 1%

Armidale Dept of Public Regional Council Infrastructure	SCALES	APPROVED	D. MAUNDER	31/08/2016	SHEET 1 OF 1
	NTS	MANAGER ENGINEERING AND STANDARDS SUPPORT		DATE	
PROPERTY SEWER CONNECTION DETAILS IO INTERFACE METHOD < 1200 DEEP		SURV	AS SHEET SIZE	DRAWING No	AMDT No
		DRWN	A3	010-047	
		DES			
		CHKD	CADFILE 010-047.dwg	DATE 31/08/2016	