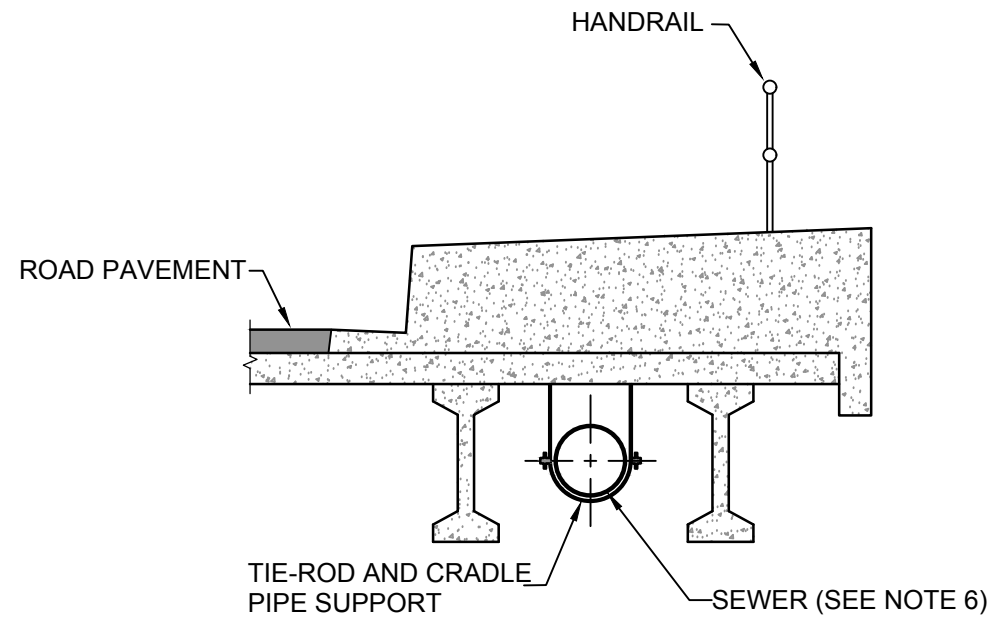
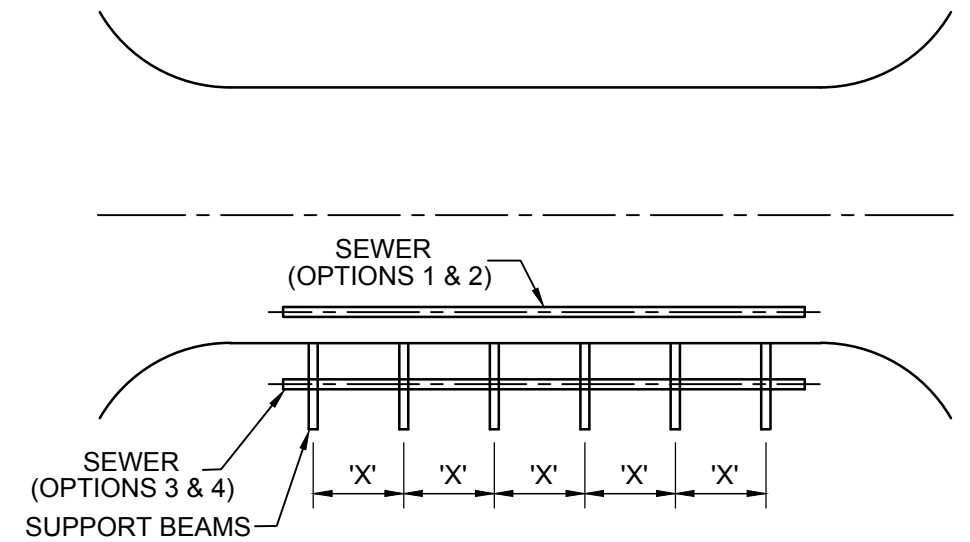


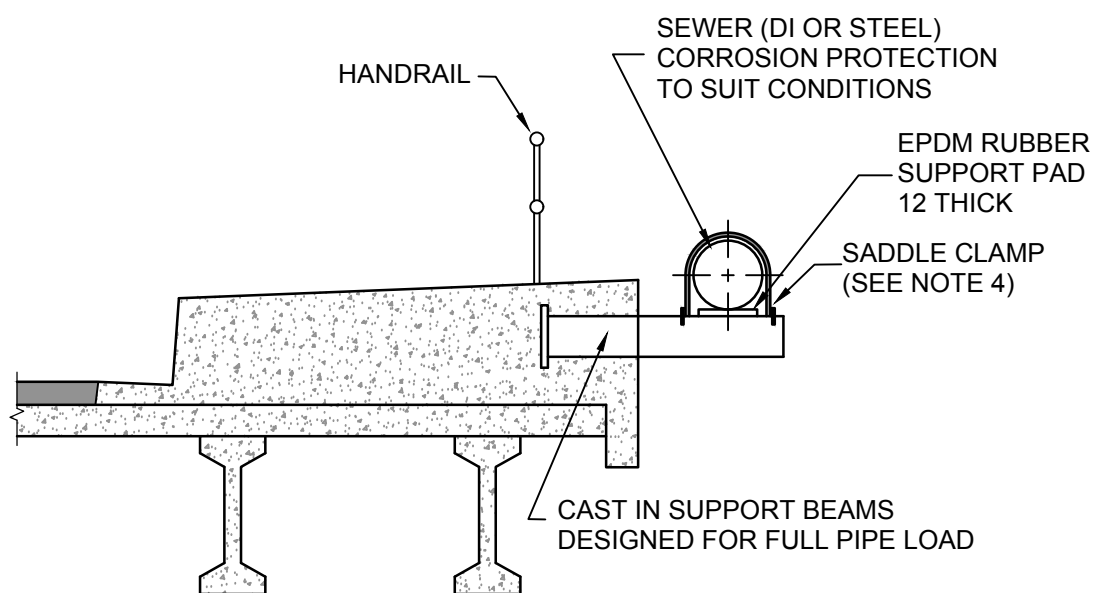
**OPTION 1
NEW BRIDGE
(PREFERRED)**



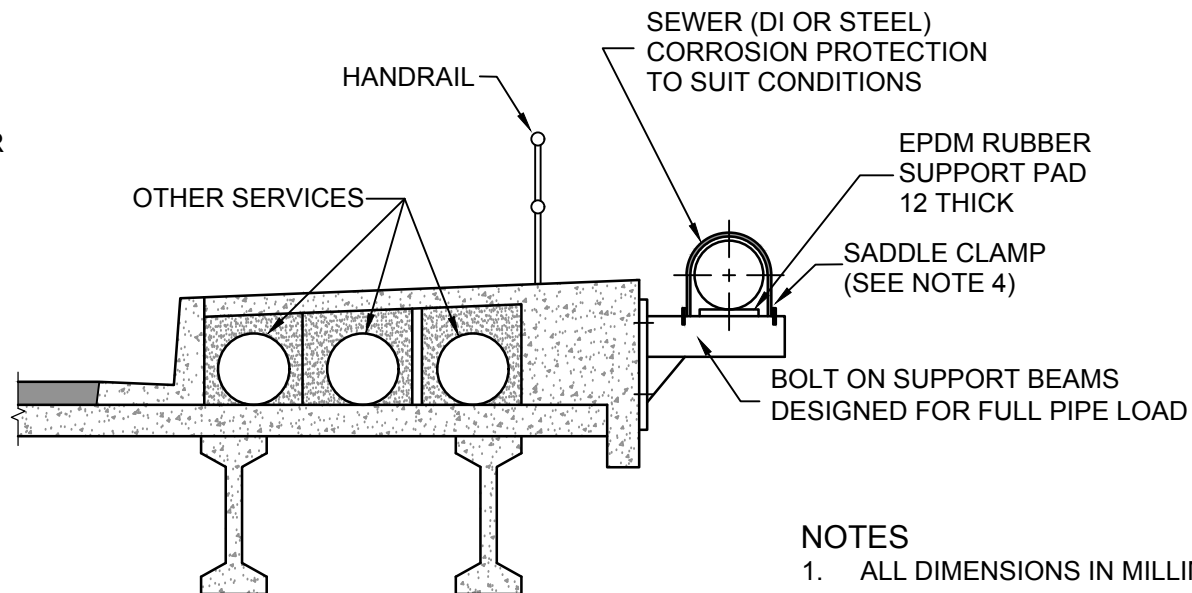
**OPTION 2
NEW AND EXISTING BRIDGES
NO SERVICE DUCTS AVAILABLE
(SEE NOTE 6)**



**BRIDGE CROSSING PLAN
SEE DESIGN DRAWING FOR DIMENSION 'X'**



**OPTION 3
NEW BRIDGE
NO SERVICE DUCTS
AVAILABLE**



**OPTION 4
NEW AND EXISTING BRIDGES
NO SERVICE DUCTS AVAILABLE**

NOTES

1. ALL DIMENSIONS IN MILLIMETERS.
2. OPTION 1 IS PREFERRED OPTION.
3. STEEL SUPPORT BEAMS TO AS / NZS 3679.1 GRADE 250 AND HOT DIPPED GALVANISED.
4. IN MARINE AND HEAVY INDUSTRIAL ENVIRONMENTS USE STAINLESS STEEL FOR TIE-RODS, CRADLE SUPPORTS, SADDLE CLAMPS, BOLTS, NUTS & WASHERS. MIN GRADE TO BE 316.
5. PROVIDE PIPE EXPANSION JOINTS AT EACH OF BRIDGE.
6. DI, STEEL, PE OR PVC MAY BE USED FOR OPTION 2. MATERIAL TYPE DEPENDS ON ENVIRONMENTAL CONDITIONS.

Armidale <i>Dept of Public Infrastructure</i> Regional Council	SCALES	APPROVED	D. MAUNDER	31/08/2016	SHEET 1 OF 1
	NTS	MANAGER ENGINEERING AND STANDARDS SUPPORT		DATE	
AERIAL CROSSINGS BRIDGE CROSSING CONCEPTS		SURV	AS SHEET SIZE	DRAWING No	AMDT No
		DRWN	TY	010-046	
		DES			
		CHKD	MW	CADFILE 010-046.dwg	DATE 31/08/2016