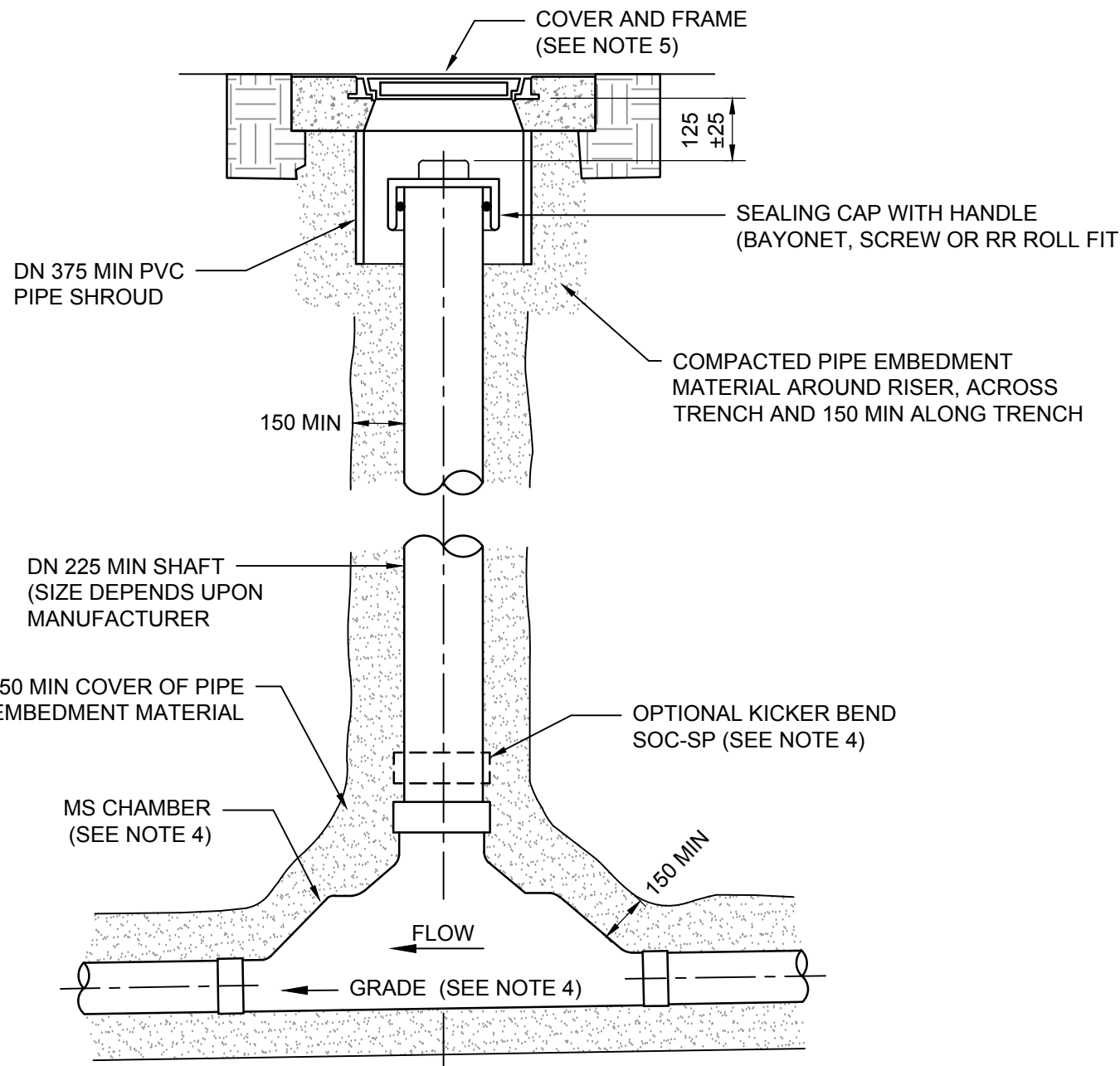
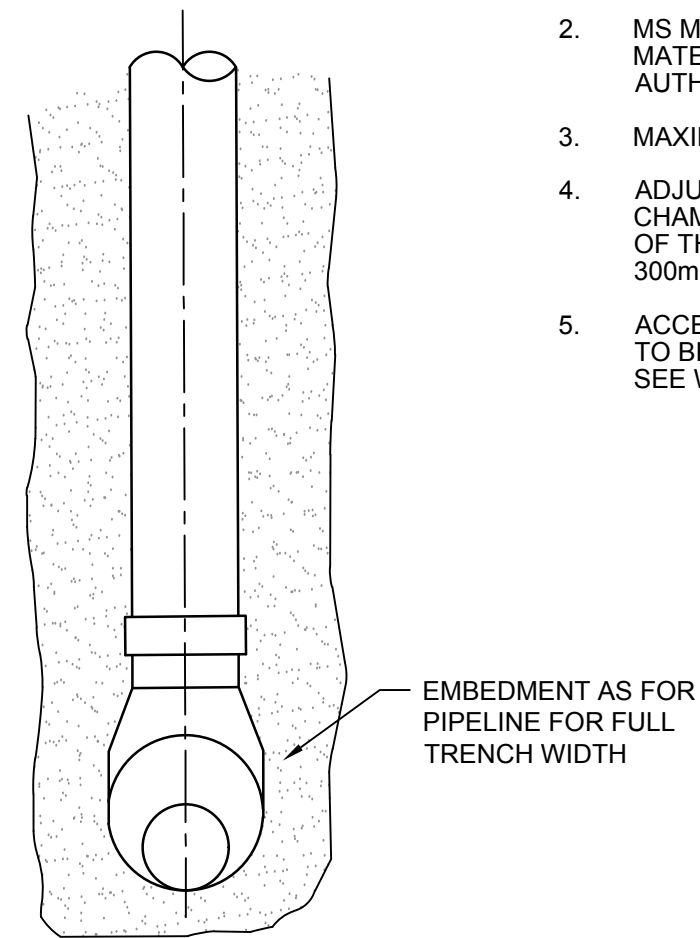


RISER SHAFT CAP



SIDE ELEVATION  
MAINTENANCE SHAFT



END ELEVATION  
PLAIN RISER SHAFT

NOTE

1. ALL DIMENSIONS IN MILLIMETRES.
2. MS MAY BE MANUFACTURED USING VARIOUS MATERIALS AND JOINTING SYSTEMS AS AUTHORISED BY WATER AGENCY.
3. MAXIMUM DEPTH TO INVERT 5000.
4. ADJUST MS TO PIPE GRADE BY TILTING CHAMBER. MAX DEVIATION FROM VERTICAL OF THE RISER TO BE 1:10 OR A MAXIMUM OF 300mm AT SURFACE.
5. ACCESS COVER, FRAME AND SUPPORT SLAB TO BE AS AUTHORISED BY WATER AGENCY SEE WSA PLAN SEW-1317.

<b>Armidale</b> <i>Dept of Public Infrastructure</i> Regional Council	SCALES	APPROVED	D. MAUNDER	31/08/2016	SHEET 1 OF 1
	NTS	MANAGER ENGINEERING AND STANDARDS SUPPORT		DATE	
SEWER MAINTENANCE SHAFTS TYPICAL INSTALLATION		SURV	AS SHEET SIZE	DRAWING No	AMDT No
		DRWN VC	<b>A3</b>	010-035	
		DES			
		CHKD MW	CADFILE 010-035.dwg	DATE 31/08/2016	